

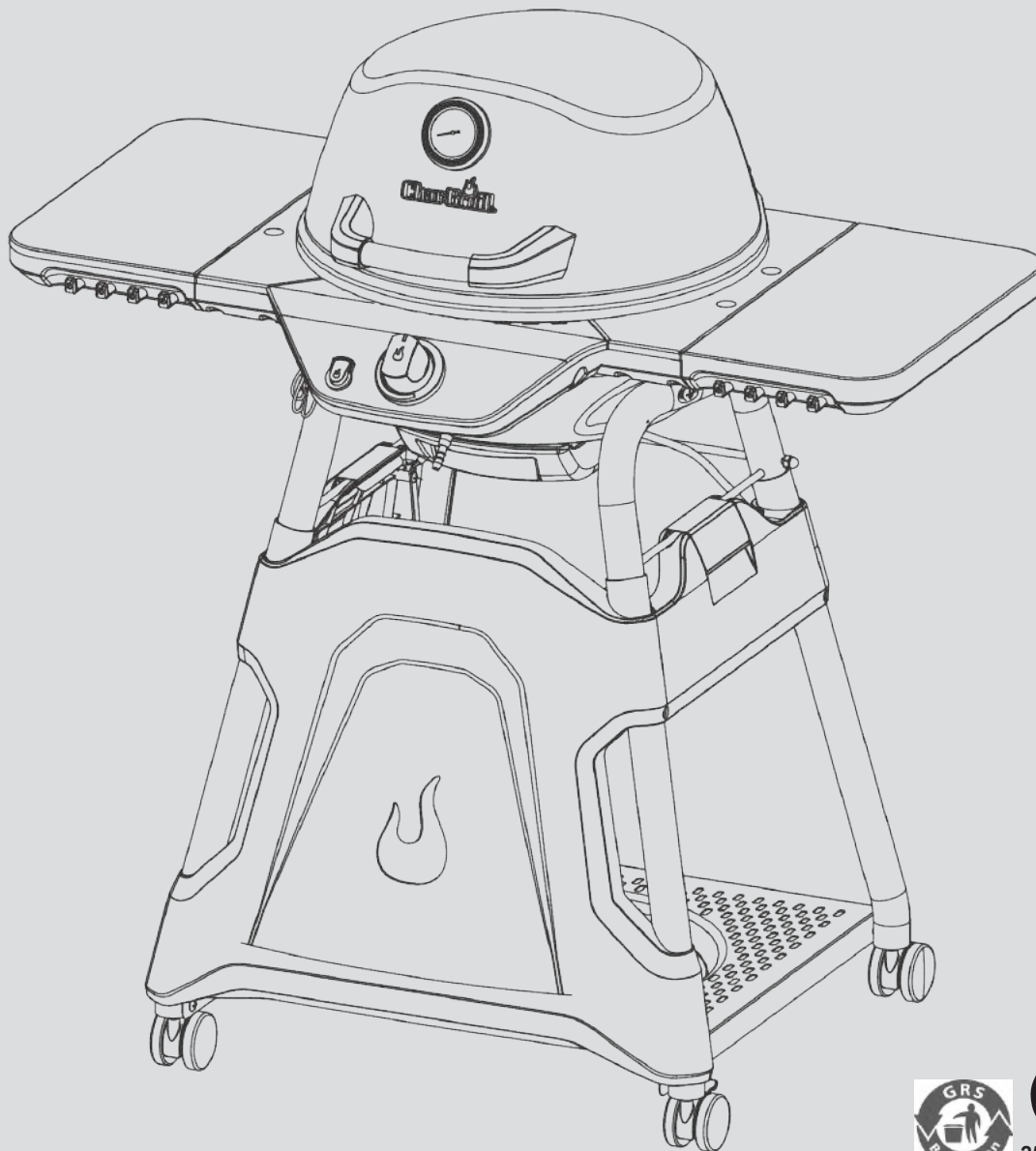
ALL STAR OUTDOOR BARBECUE

MODEL **19609170 & 19609170A1**
19609170C1 & 19609170C2

GB	Operating Instructions	2	Assembly Instructions	26
LU, AT, CH, DE	Betriebsanweisungen	14	Montageanweisungen	26

Languages not included in this Product Guide are available for download at charbroil.eu

Le lingue non incluse in questa Guida del prodotto sono disponibili per il download su charbroil.eu






IMPORTANT SAFETY INFORMATION


THIS BARBECUE IS FOR OUTDOOR USE ONLY


SAFETY SYMBOLS

DANGER, WARNING, and CAUTION statements are used throughout this Owner's Manual to emphasize critical and important information. Read and follow these statements to help ensure safety and prevent property damage.

The statements are defined below.

 CAUTION
CAUTION: Indicates a potentially hazardous situation or unsafe practice which, if not avoided, may result in minor or moderate injury.
 WARNING
WARNING: Indicates a potentially hazardous situation which, if not avoided, could result in death or serious injury.
 DANGER
DANGER: Indicates an imminently hazardous situation which, if not avoided, will result in death or serious injury.

 DANGER
If you smell gas: 1. Shut off gas to the barbecue 2. Extinguish any open flame. 3. Open Lid 4. If odor continues, keep away from the barbecue and immediately call your gas supplier or your fire department.

 WARNING
1. Do not store or use petrol or other flammable liquids or vapors in the vicinity of this or any other barbecue. 2. A Gas cylinder not connected for use shall not be stored in the vicinity of this or any other barbecue.

INSTALLER/ASSEMBLER:

Leave this manual with consumer.

CONSUMER:

Keep this manual for future reference.

Questions:

If you have questions during assembly or use of this barbecue contact your local dealer.

TECHNICAL DATA CHAR-BROIL, GmbH	
Barbecue Name	1 Burner Gas Barbecue
Total Nominal Heat Input	3,81 kW (277g/h)
Gas Category	I3B/P(50)
Model No.	19609170, 19601970A1
Gas Type	Butane, Propane or their mixtures
Gas Pressure	50 mbar
Injector Size (Dia. mm)	0,86 x 1 piece
	N/A
Destination Countries	DE, AT, LU

FOR YOUR SAFETY - BEFORE USING YOUR BARBECUE



WARNING

Do not attempt to repair or alter the regulator/valve for any “assumed” defect. Any modification to this assembly will void your warranty and create the risk of a gas leak and fire. Use only authorized replacement parts supplied by manufacturer.

For Safe Use of Your Barbecue and to Avoid Serious Injury:

- **Use outdoors only. Never use indoors.**
- Read the instructions before using the barbecue. Always follow these instructions.
- Do not move the barbecue during use.
- Accessible parts may be very hot. Keep young children away. Do not let children operate or play near barbecue.
- Turn off the gas supply at the cylinder after use.
- This barbecue must be kept away from flammable materials during use.
- Do not block holes in sides or back of barbecue.
- Check burner flames regularly.
- Do not block venturi openings on burner.
- Use barbecue only in well-ventilated space. **NEVER** use in enclosed space such as carport, garage, porch, covered patio, or under an overhead structure of any kind.
- Do not use charcoal or ceramic briquets in a gas barbecue.
- **DO NOT** cover grates with aluminum foil or any other material. This will block burner ventilation and create a potentially dangerous condition resulting in property damage and/or personal injury.
- **Use barbecue at least 1,0 meter from any wall or surface.** Maintain 3 meter clearance to objects that can catch fire or sources of ignition such as pilot lights on water heaters, live electrical barbecues, etc..
- Keep barbecue area clear and free from materials that burn (i.e. gasoline, propane, or any other flammable liquid or gas).
- When cooking, the barbecue must be on a level surface in an area clear of combustible material.
- This barbecue is not intended for and should



WARNING

never be used as a heater.

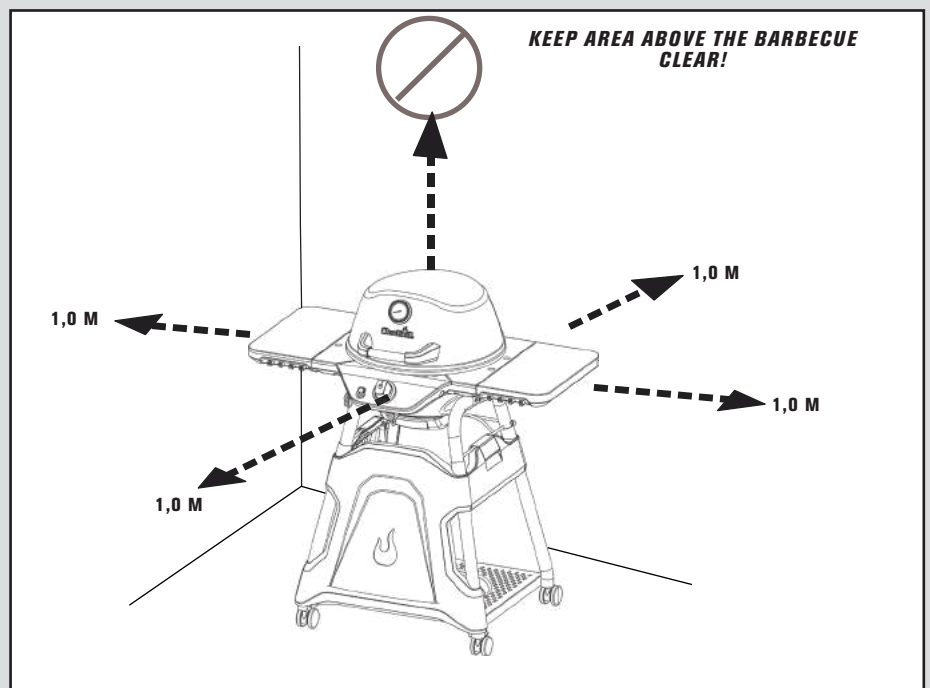
- **Apartment Dwellers:** Check with management to learn the requirements and fire codes for using an gas barbecue in your apartment complex. If allowed, use outside on the ground floor with a 1,0 meter clearance from walls or rails. Do not use on or under balconies.
- **NEVER** attempt to light burner with lid closed. A buildup of non-ignited gas inside a closed barbecue is hazardous.
- Always turn off gas at cylinder and disconnect regulator before moving gas cylinder from specified operating position.
- Never operate barbecue with gas cylinder out of correct position specified.
- Do not modify the barbecue. Any modifications is strictly prohibited. Sealed parts are not to be manipulated by the user. Do not disassemble injectors.



DANGER

- Never operate this barbecue unattended.
- Never operate this barbecue within 3m of any structure, combustible material or other gas cylinder.
- Never operate this barbecue within 7.5 m of any flammable liquid.
- If a fire should occur, keep away from the barbecue and immediately call your fire department. Do not attempt to extinguish an oil or grease fire with water.

Failure to follow these instructions could result in fire, explosion or burn hazard, which could cause property damage, personal injury or death.



FOR YOUR SAFETY - BEFORE USING YOUR BARBECUE



CAUTION

- Read and follow all safety statements, assembly instructions and use and care directions before attempting to assemble and cook.
- Some parts may contain sharp edges. Wearing protective gloves is recommended.
- Putting out grease fires by closing the lid is not possible. Barbecues are well ventilated for safety reasons.
- Do not use water on a grease fire, Personal injury may result. If a persistent grease fire develops, turn knobs and gas cylinder off.
- If barbecue has not been regularly cleaned, a grease fire can occur that may damage the product. Pay close attention while preheating or burning off food residue to insure that a grease fire does not develop. Follow instructions on General Barbecue Cleaning and Cleaning The Burner Assembly to prevent grease fires.
- The best way to prevent grease fires is regular cleaning of the barbecue.
- Wear protective gloves when handling particularly hot components.
- Do not leave barbecue unattended. Keep children and pets away from barbecue at all times.
- Do not use water on a grease fire. Personal injury may result. If a grease fire develops, turn knobs OFF and remove gas cylinder.
- Do not leave barbecue unattended while preheating or burning off food residue on HI. If barbecue has not been regularly cleaned, a grease fire can occur that may damage the product.

Installation Safety Precautions

- Use barbecue, as purchased, only with fuel gas and the regulator/valve assembly supplied.
- Barbecue is not for use in or on recreational vehicles and/or boats.
- Do not leave barbecue unattended. Keep children and pets away from barbecue at all times.



CAUTION

Hose Requirements

- Use only approved hose which is certified to appropriate EN standard and does not exceed 1.5m length.
- For Finland, the hose length shall not exceed 1.2m.
- Before each use, check to see if hoses are cut or worn.
- Make sure hose is not kinked or twisted.
- Make sure that when connected hose does not touch any warm surfaces.
- Replace damaged hoses before using barbecue.
- Replace hose as required by national requirements.
- Position the barbecue so that the flexible tube is not subjected to twisting.

Cylinder Placement

Gas cylinders may be placed on the ground beside the barbecue. GAS CYLINDERS MAY INSTEAD BE PLACED ON BOTTOM SHELF. Maximum cylinder diameter shall be 320mm and 480mm in height. IF PLACING GAS CYLINDERS ON THE GROUND, DO NOT PLACE ADDITIONAL GAS CYLINDERS ON THE BOTTOM SHELF.

Regulator Requirements

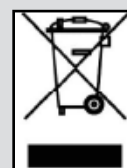
A regulator must be used with this barbecue. Use only a regulator certified according to EN16129 (Flow rate max. 1.5 kg/h) and approved for your country and gas specified in Technical Data. If you have questions concerning the proper regulator and matching gas tank to use for your barbecue, contact a trained and qualified gas service technician. The technician should be sure to correctly identify the model number of your gas barbecue so that s/he can provide accurate advice.

Safety Tips

- Before opening gas cylinder valve, check the regulator for tightness.
- When barbecue is not in use, turn off all control knobs and gas.
- Use long-handled barbecue utensils and oven mitts to avoid burns and splatters. Use protective gloves when handling hot components.
- The grease cup (if equipped) must be inserted into barbecue and emptied after each use. Do not remove grease cup until barbecue has completely cooled.
- Be very careful when you open the lid, since hot steam may escape.
- Be very careful when children, the elderly, or pets are nearby.
- If you notice grease or other hot material dripping from barbecue onto valve, hose or regulator, turn off gas supply at once. Determine the cause, correct it, then clean and inspect valve, hose, and regulator before continuing. Perform a leak test.
- Keep ventilation openings in cylinder enclosure (barbecue cart) free and free of debris.
- Do not store objects or materials inside the barbecue cart enclosure that would block the flow of combustion air to the underside of either the control panel or the firebox bowl.
- DO NOT disconnect or change gas container within 3m of an open flame or other ignition source.

Environmental protection

- Discarded electric barbecues are recyclable and should not be discarded in the domestic waste! Please actively support us in conserving resources and protecting the environment by returning this barbecue to the collection centres (if available).



GAS SAFETY AND CYLINDER CARE

Fuel Gas

- Is nontoxic, odorless and colorless when produced. For Your Safety , fuel gas has been given an odor (similar to rotten cabbage) so that it can be smelled.
- Fuel gas is highly flammable and may ignite unexpectedly when mixed with air.

Gas Cylinders.

- The cylinder must be installed, transported and stored in an upright position and should not be dropped or handled roughly.
- When the barbecue is to be stored indoors, the gas cylinder must be disconnected from the barbecue.
- When the gas cylinder is not disconnected from the barbecue, the barbecue and cylinder must be stored outdoors in a well-ventilated space.
- The cylinder should never be transported or stored where temperature can reach 51 °C.
- Cylinders must be stored outdoors out of the reach of children.
- Do not store an gas cylinder in enclosed spaces such as a carport, garage, porch, covered patio or other building.

Gas Cylinder Installation/Removal

Gas Cylinder Installation:

1. Be sure barbecue control valves are in the **OFF** position.
2. Perform a leak test.

Gas Cylinder Removal:

1. Turn control valves **OFF**.
2. Allow Barbecue to cool.

Additional Safety Considerations

- This barbecue must be kept away from flammable materials during use.
- When changing the gas cylinder, you must be sure the barbecue is kept away from any source of ignition.
- Turn off the gas supply at the gas cylinder after use.
- Avoid kinking the hose.
- Change the flexible hose when national regulations stipulate this as a requirement.
- Any parts sealed by the manufacturer must not be altered by the user.
- Any modification of the barbecue may be dangerous.
- The gas must be turned off at the cylinder when your barbecue is not in use.
- **WARNING:** Make sure that the cylinder valve is closed when the barbecue is not in use.
- If storing the barbecue indoors, first **DISCONNECT** the gas supply and store the cylinder outdoors in a well-ventilated space.
- If you do not disconnect the cylinder from the barbecue, be sure to keep both the barbecue and the cylinder outdoors in a well-ventilated area.
- Always close the cylinder valve before disconnecting regulator.
- Cylinders must be installed, transported, and stored in an upright position.
- **IMPORTANT NOTICE:** We recommend that you replace the gas hose assembly on your barbecue every five years. Some countries may have requirements that the gas hose be replaced within less than five years, in which case that country's requirement would take precedence.

LEAK CHECKING YOUR BARBECUE

Leak Testing

- During leak test, keep barbecue away from open flames or sparks and do not smoke. Barbecue must be leak tested outdoors in a well ventilated area.
- Leak test must be repeated each time gas cylinder is replaced or after storage.

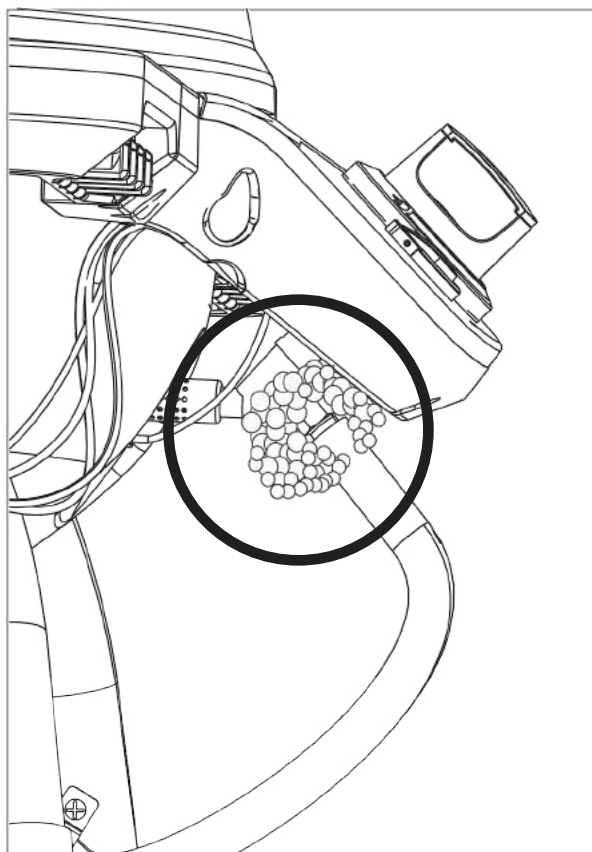
Materials needed include clean paint brush and 50/50 soap and water solution. Use mild soap and water. Do not use household cleaning agents. Damage to components can result.

PROCEDURE

1. Be sure control knobs on barbecue to the "OFF" position.
2. Brush soapy solution onto hose connection.
3. See next page for leak check your gas tank connection.

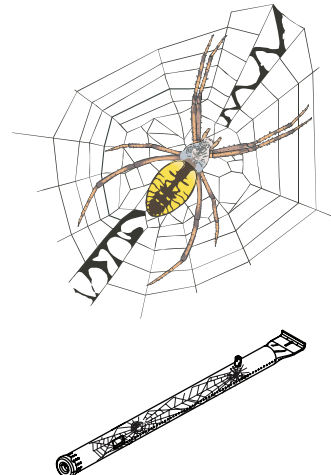
If growing bubbles appear, there is a leak. Retighten connections and repeat steps 1 and 2.

If you cannot stop a leak, remove gas cylinder from regulator and check for damaged threads, dirt and debris on regulator and gas cylinder. Also check to see if anything is obstructing flow of gas at regulator and gas cylinder openings. Remove any obstruction that may be found and repeat leak test. If threads are damaged on either regulator or gas cylinder, replace.



CAUTION

SPIDER ALERT!



If you notice that your barbecue is getting hard to light or that the flame isn't as strong as it should be, take the time to check and clean the burner.

In some areas, spiders or small insects have been known to create "flashback" problems. The spiders spin webs, build nests and lay eggs in the barbecue's burner tube obstructing the flow of gas to the burner. The backed-up gas can ignite in the burner tube. This is known as a flashback and it can damage your barbecue and even cause injury.

To prevent flashbacks and ensure good performance the burner and burner tube should be removed from the barbecue and cleaned before use whenever the barbecue has been idle for an extended period.

IF YOU EXPERIENCE THE FOLLOWING:

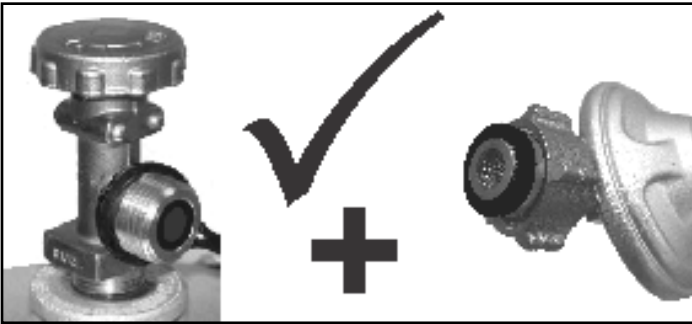
1. Smell gas.
2. Burner will not light.
3. A small yellow flame from burner (should be blue).
4. Fire coming from around or behind control knob.

STOP!

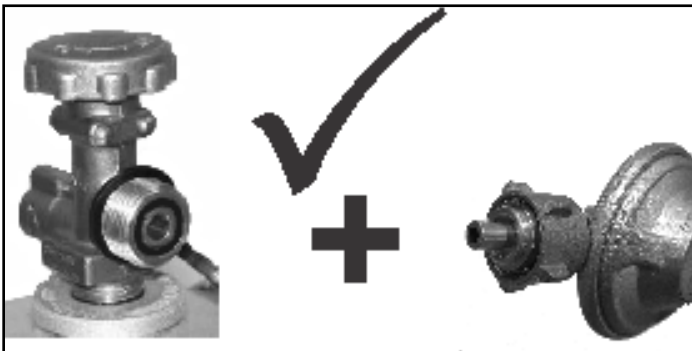
IMMEDIATELY TURN OFF GAS AT CONTROL KNOBS!

1. Wait for barbecue to cool.
2. Use a 0,3m pipe cleaner to clean out the burner tube.

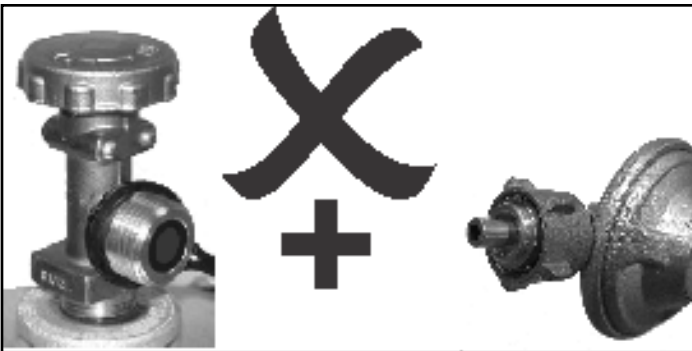
IMPORTANT! - PLEASE READ!



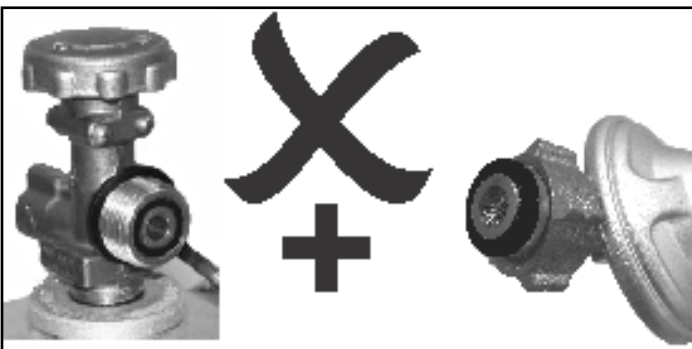
CH Gas Cylinder + CH Regulator



Foreign Gas Cylinder + Foreign Regulator



CH Gas Cylinder + Foreign Regulator



Foreign Gas Cylinder + CH Regulator

A regulator must be used with this barbecue. Use only a regulator certified according to EN16129 (Flow rate max. 1.5 kg/h) and approved for your country and gas specified in Technical Data. If you have questions concerning the proper regulator and matching gas tank to use for your barbecue, contact a trained and qualified gas service technician. The technician should be sure to correctly identify the model number of your gas barbecue so that s/he can provide accurate advice.

For Switzerland Only

There is a danger of fire and explosion with gas barbecues which are equipped with foreign pressure regulators and are not compatible with the gas tanks and gas regulators available in Switzerland


Due to the different sealing systems, it is impossible to properly seal the regulator to the gas tank. Gas will escape here and can be ignited by flame or sparks. A life-threatening explosion, and/or property damage can result. Swiss and German tanks and regulators cannot be intermixed.

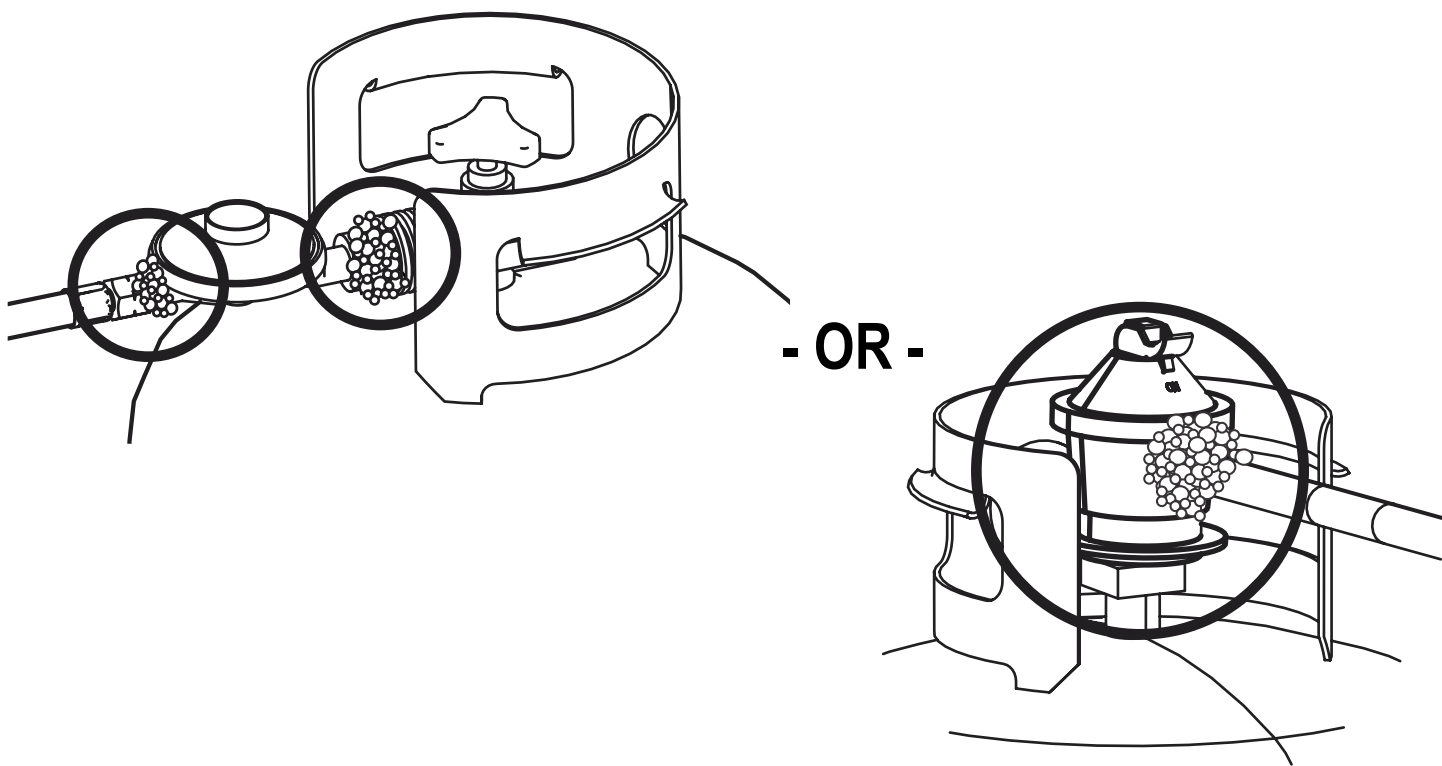
For safety reason, please check your barbecue regulator and gas tank connection and make sure it follows in one of the allowed cases shown in the pictures.

Perform a leak check each time you connect your barbecue to the gas tank.

LEAK CHECKING YOUR BARBECUE

LEAK TEST BEFORE FIRST USE, AT LEAST ONCE A YEAR, AND EVERY TIME THE CYLINDER IS CHANGED OR DISCONNECTED.




1. Turn all barbecue control knobs to .
2. Be sure regulator is tightly connected to gas cylinder.
3. Turn on Gas. If you hear a rushing sound, turn gas off immediately. There is a major leak at the connection. Correct before proceeding.
4. Brush soapy solution (mixture of half soap and half water) onto hose connections.
5. If growing bubbles appear, there is a leak. Turn off gas at cylinder immediately and check tightness of connections. If leak cannot be stopped do not try to repair. Call for replacement parts.
6. Always turn off gas at cylinder after performing leak test.



FOR YOUR SAFETY - OPERATING YOUR BARBECUE

Ignitor Lighting

READ INSTRUCTIONS BEFORE LIGHTING. Do NOT lean over barbecue while lighting.

1. Turn gas burner control valve to .
2. Turn ON gas cylinder.
3. Open the barbecue lid.
4. Press and turn the control knob to the Ignition  position.
5. Push and hold ELECTRONIC IGNITOR button until the burner lights.
6. Once the burner has ignited, turn the control knob to the desired setting.
7. If ignition does not occur in 5 seconds, turn the burner control knob , wait 5 minutes, and repeat lighting procedure.





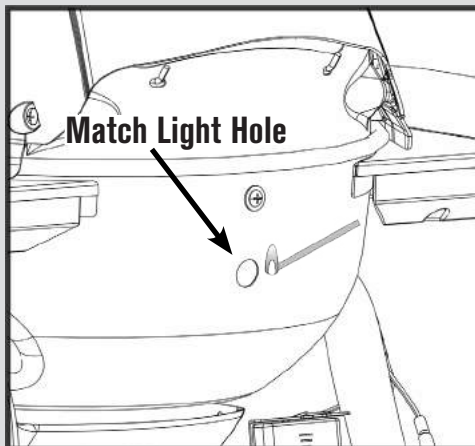
WARNING

Turn controls OFF and disconnect LP cylinder when not in use.

Match Lighting

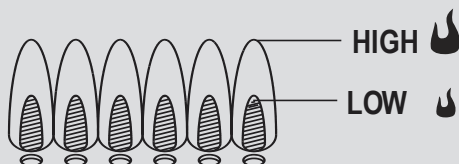
Do NOT lean over barbecue while lighting.

1. Turn gas burner control valve to .
2. Turn ON gas at cylinder.
3. Open barbecue lid.
4. Strike match. Insert match into match lighting hole. Place lit match near the burner.
5. Press and turn the control knob to the Ignition  position.




Burner Flame Check



Light burner. Make sure burner stays lit while rotating the burner control knob from  to . Always check flame prior to each use.



Before Cooking For The First Time

- Leak test your barbecue. Operate barbecue for 15 minutes with the barbecue controls on . This will heat-clean internal components and eliminate odor from paint finish of barbecue.

Turning Barbecue Off

- After cooking, turn the barbecue off by rotating the control knob to  OFF. Control knob should pop up in the  OFF position. If control knob does not pop up, disconnect cylinder to turn barbecue off and replace the Valve assembly.
- Allow barbecue to cool completely before storing.

Storing Your Barbecue

- Allow barbecue to cool completely.
- Remove LP Cylinder and install protective cap over outlet threads.

If Barbecue Fails To Light

- Make sure gas is turned on at cylinder. Make sure there is gas in the cylinder.
- Does the ignitor make a sparking noise?
- If yes check for spark at burner.
- If no spark - check for damaged or loose wires.
- If wires are OK check for cracked or broken electrode, replace if needed.
- If wire or electrodes are covered by cooking residue, clean electrode tip with alcohol wipe if needed. If needed replace wires.
- If no sound check battery.
- Make sure battery is installed correctly.
- Check for loose wire connection at module and switch.
- If ignitor continues to not work then use match.

CARE AND MAINTENANCE OF YOUR BARBECUE

Cleaning the Burner Assembly

Follow these instructions to clean and/or replace parts of burner assembly or if you have trouble igniting barbecue.

1. Turn gas OFF at control knob and gas cylinder and disengage regulator from cylinder.
2. Remove grease tray. Open top cover, remove cooking grate, heat tent and warming rack. This will expose the burner from inside.
3. Remove 3 nuts securing the burner to the bottom.
4. From the top of the barbecue, carefully lift burner out.
5. Clean any blocked ports with a stiff wire such as an open paper clip.
6. Clean burner as recommended below.

We suggest three ways to clean the burner tubes. Use the one easiest for you.

- Bend a stiff wire (a light weight coat hanger works well) into a small hook. Run the hook through each burner tube several times.
- Use a narrow bottle brush with a flexible handle (do not use a brass wire brush). Run the brush through each burner tube several times.
- Wear eye protection: Use an air hose to force air into the burner tube and out the burner ports. Check each port to make sure air comes out each hole.

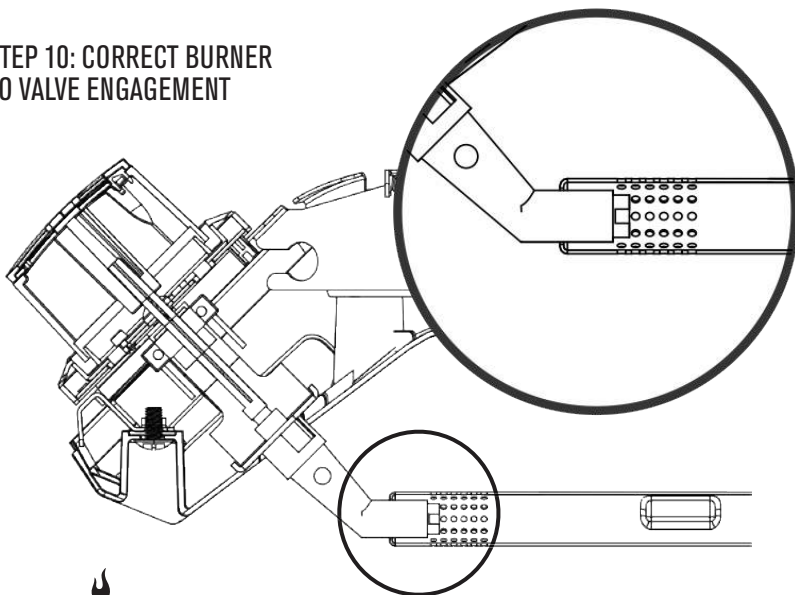


7. Wire brush entire outer surface of burner to remove food residue and dirt.
8. Clean any blocked ports with a stiff wire such as an open paper clip.
9. Check burner for damage due to normal wear and corrosion, some holes may become enlarged. If any large cracks or holes are found, replace burner.

VERY IMPORTANT: Burner tubes must re-engage valve openings. See illustration below.

10. Attach electrode to burner.
11. Carefully replace burners.
12. Attach burners to brackets on firebox.
13. Replace cooking grates.
14. Before cooking again on barbecue, perform a "Leak Test" and "Burner Flame Check".

STEP 10: CORRECT BURNER TO VALVE ENGAGEMENT



Storing Your Barbecue

- Clean cooking grates.
- Store in dry location.
- When gas cylinder is connected to barbecue, store outdoors in a well-ventilated space and out of reach of children.
- Cover barbecue if stored outdoors.
- Store barbecue indoors ONLY if gas cylinder is turned off and disconnected, removed from barbecue and stored outdoors.
- When removing barbecue from storage check for burner obstructions.

General Barbecue Cleaning

- Clean barbecue often, preferably after each cookout. If a bristle brush is used to clean any of the barbecue cooking surfaces, ensure no loose bristles remain on cooking surfaces prior to barbecuing. It is not recommended to clean cooking surface while barbecue is hot. Barbecue should be cleaned at least once a year.
- Do not mistake brown or black accumulation of grease and smoke for paint. Interiors of gas barbecues are not painted at the factory (and should never be painted). Apply a strong solution of detergent and water or use a barbecue cleaner with scrub brush on insides of barbecue lid and bottom. Rinse and allow to completely air dry. Do not apply caustic barbecue/oven cleaner to painted surfaces.
- **Plastic parts:** Wash with warm soapy water and wipe dry. Do not use citrisol, abrasive cleaners, degreasers or a concentrated barbecue cleaner on plastic parts. Damage to and failure of parts can result.
- **Porcelain surfaces:** Because of glass-like composition, most residue can be wiped away with baking soda/water solution or specially formulated cleaner. Use nonabrasive scouring powder for stubborn stains.
- **Painted surfaces:** Wash with mild detergent or non-abrasive cleaner and warm soapy water. Wipe dry with a soft nonabrasive cloth.
- **Stainless steel surfaces:** To maintain your barbecue's high quality appearance, wash with mild detergent and warm soapy water and wipe dry with a soft cloth after each use. Baked-on grease deposits may require the use of an abrasive plastic cleaning pad. Use only in direction of brushed finish to avoid damage. Do not use abrasive pad on areas with graphics.
- **Cooking surfaces:** If a bristle brush is used to clean any of the barbecue cooking surfaces, ensure no loose bristles remain on cooking surfaces prior to barbecuing. It is not recommended to clean cooking surfaces while barbecue is hot.

TROUBLESHOOTING

EMERGENCIES: If a gas leak cannot be stopped, or a fire occurs due to gas leakage, call the fire department.

EMERGENCIES	POSSIBLE CAUSE	PREVENTION / SOLUTION
Gas leaking from gas cylinder.	<ul style="list-style-type: none"> Mechanical failure due to rusting or mishandling. 	<ul style="list-style-type: none"> Replace gas cylinder.
Gas leaking from gas cylinder valve regulator control valve connection.	<ul style="list-style-type: none"> Improper installation, connection not tight, failure of rubber seal. 	<ul style="list-style-type: none"> Remove regulator control valve from cylinder and visually inspect for damage. See gas Cylinder Leak Test and Connecting Regulator control valve to the gas Cylinder.
Fire coming through at burner control valve connection	<ul style="list-style-type: none"> Fire in burner tube section of burner due to blockage. 	<ul style="list-style-type: none"> Turn off control knob. After fire is out and barbecue is cold, remove burner and inspect for spider nests or rust. See Natural Hazard and Cleaning the Burner Assembly pages.
Fire coming below control panel.	<ul style="list-style-type: none"> Fire in burner tube section of burner due to blockage. 	<ul style="list-style-type: none"> Turn off control knobs and gas cylinder valve. After fire is out and barbecue is cold, remove burner and inspect for spider nests or rust. See Natural Hazard and Cleaning the Burner Assembly pages.
Grease fire or continuous excessive flames above cooking surface.	<ul style="list-style-type: none"> Too much grease buildup in cooking area. 	<ul style="list-style-type: none"> Turn off control knobs and gas cylinder valve. After cooling, clean food particles and excess grease from barbecue surface, grease cup, and other surfaces.

TROUBLESHOOTING

PROBLEM	POSSIBLE CAUSE	PREVENTION / SOLUTION
Burner(s) will not light using ignitor.	GAS ISSUES: <ul style="list-style-type: none"> Burner not engaged with control valve. Obstruction in burner. No gas flow. Regulator and gas cylinder valve not fully connected. Control Valve knob does NOT pop up in the OFF position. 	<ul style="list-style-type: none"> Make sure control valve is positioned inside of burner tube. Ensure burner tube is not obstructed with spider webs or other matter. See cleaning section of Use and Care. Make sure gas cylinder is not empty. Remove gas cylinder. Clean threads on gas cylinder and regulator control valve. Replace regulator. Replace valve/manifold assembly.
	ELECTRICAL ISSUES: <ul style="list-style-type: none"> Electrode cracked or broken; "sparks at crack." Electrode and burner are wet Wire and/or electrode covered with cooking residue. Wires are loose or disconnected. Wires are shorting (sparking) between ignitor and electrode. 	<ul style="list-style-type: none"> Replace electrode(s). Wipe dry with a cloth. Clean wire and/or electrode with rubbing alcohol and clean swab. Reconnect wires or replace electrode/wire assembly. Replace ignitor wire/electrode assembly

TROUBLESHOOTING

PROBLEM	POSSIBLE CAUSE	PREVENTION / SOLUTION
Burner(s) will not match light.	<ul style="list-style-type: none"> • See "GAS ISSUES:" • Match will not reach. • Improper method of match-lighting. 	<ul style="list-style-type: none"> • Use long-stem match (fireplace match). • See "Match-Lighting" section of <i>Lighting Your Barbecue</i>.
Sudden drop in gas flow or low flame.	<ul style="list-style-type: none"> • Out of gas. 	<ul style="list-style-type: none"> • Check for gas in gas cylinder.
Flames blow out.	<ul style="list-style-type: none"> • High or gusting winds. • Low on gas gas. 	<ul style="list-style-type: none"> • Turn front of barbecue to face wind or increase flame height by turning gas valve to a higher position. • Replace gas cylinder.
Flare-up.	<ul style="list-style-type: none"> • Grease buildup. • Excessive fat in meat. • Excessive cooking temperature. 	<ul style="list-style-type: none"> • Clean burners and barbecue cooking surface. • Trim fat from meat before cooking. • Adjust (lower) temperature accordingly.
Persistent grease fire.	<ul style="list-style-type: none"> • Grease trapped by food buildup. 	<ul style="list-style-type: none"> • Turn knobs to OFF. Let fire burn out. After barbecue cools, remove and clean all parts.
Flashback (fire in burner tube(s)).	<ul style="list-style-type: none"> • Burner and/or burner tubes are blocked. 	<ul style="list-style-type: none"> • Turn knobs to OFF. Clean burner and/or burner tubes. See burner cleaning <i>Care and Maintenance Section of this guide</i>




WICHTIGE SICHERHEITSHINWEISE


DIESER GRILL IST NUR ZUR BENUTZUNG IM FREIEN GEEIGNET


SICHERHEITSZEICHEN

Die Sicherheitsaussagen GEFÄHR, ACHTUNG und VORSICHT werden in dieser Bedienungsanleitung genutzt, um wesentliche und wichtige Informationen hervorzuheben. Lesen und befolgen Sie diese Aussagen, um Sicherheit zu gewährleisten und Sachschaden zu vermeiden.

Die Aussagen werden nachfolgend definiert.

 VORSICHT
VORSICHT: Hinweis auf eine potenziell gefährliche Situation oder unsichere Vorgehensweise, die, wenn sie nicht vermieden wird, kleinere oder mäßige Verletzungen zur Folge haben kann.
 ACHTUNG
ACHTUNG: Hinweis auf eine potenziell gefährliche Situation, die, wenn sie nicht vermieden wird, Tod oder ernsthafte Verletzungen zur Folge haben kann.
 GEFAHR
GEFAHR: Hinweis auf eine unmittelbar gefährliche Situation, die, wenn sie nicht vermieden wird, Tod oder ernsthafte Verletzungen zur Folge haben wird.

 GEFAHR
Bei Gasgeruch: 1. Gaszufuhr zum Gerät abschalten 2. Jedwede offenen Flammen löschen 3. Deckel öffnen Falls der Geruch anhält, sich vom Gerät fernhalten and sofort den Gaslieferanten oder die Feuerwehr anrufen.

 ACHTUNG
1. Benzin oder andere brennbaren Flüssigkeiten oder Dämpfe nicht in der Nähe dieses Geräts oder irgendeines anderen Geräts aufbewahren oder benutzen. 2. Eine Gasflasche, die nicht zum Gebrauch angeschlossen ist, darf nicht in der Nähe dieses oder irgendeines anderen Geräts aufbewahrt werden.

MONTEUR/ASSEMBLIERER:

Diese Bedienungsanleitung dem Verbraucher übergeben.

VERBRAUCHER:

Diese Bedienungsanleitung für spätere Nachschlagzwecke aufbewahren.

Fragen:

Falls Sie während der Montage oder des Gebrauchs dieses Geräts Fragen haben, wenden Sie sich bitte an Ihren Händler.

 Char-Broil

TECHNISCHE DATEN CHAR-BROIL, GmbH	
Name des Geräts	1-Brenner Gasgrill
Gesamte nominelle Heizleistung	3,81 kW (277 g/h)
Gaskategorie	I3B/P(50)
Modell-Nr.	19609170, 19601970A1
Gasart	Butan, Propan oder deren Mischungen
Gasdruck	50 mbar
Injektor-Größe (Ø mm)	0,86 x 1 Stk
	N/A
Zielländer	DE, AT, LU

ZU IHRER SICHERHEIT - VOR BENUTZUNG IHRES GRILLS



ACHTUNG

Versuchen Sie nicht, den Regler/die Klappe wegen irgend-eines „vermuteten“ Fehlers zu reparieren oder umzuändern. Jedwede Änderung dieser Konstruktion macht Ihre Garantie ungültig und führt zum Risiko eines Gasaustritts oder Brands. Nur durch den Hersteller gelieferte Ersatzteile anwenden.

Zur sicheren Anwendung Ihres Grills and zur Vermeidung ernsthafter Verletzungen:

- Nur im Freien benutzen. Nie in Innenbereichen benutzen.
- Vor Gebrauch des Grills die Anweisungen lesen. Diese Anweisungen stets befolgen.
- Den Grill während des Gebrauchs nicht bewegen.
- Zugängliche Teile können sehr heiß sein. Kleine Kinder fernhalten. Kinder nicht den Grill bedienen oder in seiner Nähe spielen lassen.
- Nach Gebrauch die Gaszufuhr an der Gasflasche abstellen.
- Während des Gebrauchs muss dieser Grill von brennbaren Materialien ferngehalten werden.
- Die Öffnungen an den Seiten oder auf der Rückseite des Grills nicht blockieren.
- Die Brennerflammen regelmäßig überprüfen.
- Die Venturi-Öffnungen am Grill nicht blockieren.
- Den Grill nur in gut-gelüfteten Bereichen benutzen. NIE in geschlossenen Räumen wie einem Carport, einer Garage, auf einer Veranda, überdachten Terrasse oder überdachten Anlagen jeder Art benutzen.
- In einem Gasgrill keine Kohle oder Keramikbriketts verwenden.
- Die Grillroste **NICHT** mit Aluminiumfolie oder sonst irgendeinem Material bedecken. Dies blockiert die Brenner-Ventilation und schafft einen potentiell gefährlichen Zustand, der Sach- oder Personenschaden zur Folge haben würde.
- **Den Grill während des Gebrauchs mindestens 1,0 Meter von allen Wänden oder Oberflächen fernhalten.** 3 m Abstand halten von Objekten, die Feuer fangen könnten oder von Zündquellen wie Sparflammen an Wassererwärmern, spannungsführenden Geräten, usw.
- Stellen Sie sicher, dass der Grillbereich übersichtlich und frei von brennbaren Materialien ist (z. B. Benzin, Propan-gas, or sonstige entflammbare Flüssigkeit oder Gas).
- Während des Grillens muss das Gerät auf einer ebenen Fläche in einem von Brennmaterialien geräumten Bereich stehen.



ACHTUNG

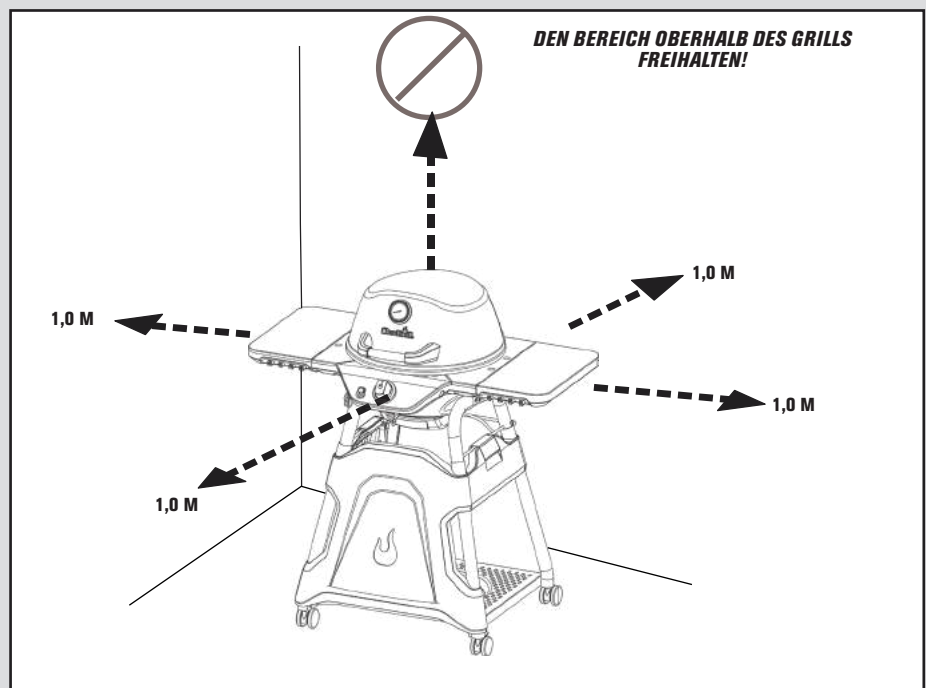
- Dieser Grill ist nicht als Heizgerät vorgesehen und sollte niemals als solches benutzt werden.
- **Appartement-Bewohner:** Erkundigen Sie sich bei der Hausverwaltung über die Vorschriften und Brandschutz-ordnungen bezüglich der Anwendung eines Gasgrills in Ihrer Wohnanlage. Falls gestattet, im Erdgeschoss im Freien benutzen und 1,0 m entfernt von Wänden oder Geländern halten. Nicht auf oder unter Balkons anwen-den.
- **NIEMALS versuchen, den Brenner mit geschlos-senem Deckel anzuzünden. Eine Ansammlung von nicht entzündetem Gas in einem bedeckten Grill ist gefährlich.**
- Die Gaszufuhr an der Gasflasche stets abstellen und den Regler entfernen, bevor Sie die Gasflasche aus der vorge-schriebenen Betriebsposition rücken.
- Den Grill niemals in Betrieb nehmen, wenn die Gasfla-sche sich nicht ordnungsgemäß in der vorgeschriebenen Betriebsposition befindet.
- Keine Änderungen am Grill vornehmen. Jedwede Ände-rungen sind streng verboten. Versiegelte Teile dürfen nicht durch den Anwender manipuliert werden. Die Injektoren nicht auseinandernehmen.



GEFAHR

- Dieses Gerät nie unbeaufsichtigt laufen lassen.
- Dieses Gerät nie innerhalb von 3 m Abstand von irgendeiner Konstruktion, Brennmaterialien oder sonstigen Gasflasche bedienen.
- Das Gerät nie innerhalb einer Entfernung von 7,5 m irgendeiner brennbaren Flüssigkeit bedienen.
- Sollte ein Brand entstehen, halten Sie sich von dem Gerät fern und rufen Sie sofort die Feuerwehr an. Versuchen Sie nicht, ein Öl- oder Fettfeuer mit Wasser zu löschen.

Eine Nichtbefolgung dieser Anweisungen könnte Brand, Explosion oder Verbrennungsgefahren zur Folge haben, wodurch wiederum Sachschaden, Körperverletzung oder Tod verursacht werden könnten.



ZU IHRER SICHERHEIT - VOR BENUTZUNG IHRES GRILLS



VORSICHT

- Vor der Montage und dem Grillen alle Sicherheitsaussagen, Montageanleitungen und Nutzungs- und Wartungsanleitungen lesen und befolgen.
- Einige Teile können scharfe Kanten haben. Es wird empfohlen, Schutzhandschuhe zu tragen.
- Fettbrände können nicht durch Schließen des Deckels gelöscht werden. Grills sind aus Sicherheitsgründen gut belüftet.
- Zur Löschung eines Fettfeuers nie Wasser benutzen. Dies könnte zu Körperverletzungen führen. Sollte ein hartnäckiges Fettfeuer entstehen, Schalter und Gasflasche abschalten.
- Wenn der Grill nicht regelmäßig gereinigt wurde, kann ein Fettfeuer entstehen, das das Produkt beschädigen könnte. Beim Vorheizen oder Abbrennen von Speiseresten genau darauf achten, dass kein Fettfeuer entsteht. Befolgen Sie die Anweisungen hinsichtlich der allgemeinen Reinigung des Grills und der Reinigung der Brennerkonstruktion zur Vermeidung von Fettfeuern.
- Das regelmäßige Reinigen des Grill ist die beste Methode zur Vermeidung von Fettfeuern.
- Beim Anfassen von besonders heißen Bestandteilen Schutzhandschuhe tragen.
- Den Grill nicht unbeaufsichtigt lassen. Kinder und Haustiere stets vom Grill fernhalten.
- Ein Fettfeuer nicht mit Wasser bekämpfen. Dies könnte zu Personenschaden führen. Falls ein Fettfeuer entsteht, Schalter auf AUS [OFF] drehen und Gasflasche entfernen.
- Den Grill während des Vorheizens oder beim Abbrennen von Speiseresten auf Hochstufe nicht unbeaufsichtigt lassen. Wenn der Grill nicht regelmäßig gereinigt wurde, kann ein Fettfeuer entstehen, das das Produkt beschädigen könnte.

Vorbegende Sicherheitsmaßnahmen bei der Installation

- Den Grill, wie gekauft, nur mit Brenngas and der mitgelieferten Regler/Ventil-Baugruppe benutzen.
- Der Grill darf nicht in oder auf Wohnmobilen und/ oder Booten benutzt werden.
- Den Grill nicht unbeaufsichtigt lassen. Kinder und Haustiere stets vom Grill fernhalten.



VORSICHT

Schlauch-Anforderungen

- Nur einen nach entsprechenden EN-Normen zugelassenen Schlauch von nicht mehr als 1,5 m Länge benutzen.
- Für Finnland darf die Schlauchlänge 1,2 m nicht überschreiten.
- Vor jedem Gebrauch prüfen, ob die Schläuche eingeschnitten oder abgenutzt sind.
- Sicherstellen, dass der Schlauch nicht verknickt oder verdreht ist.
- Sicherstellen, dass ein angeschlossener Schlauch keine warmen Oberflächen berührt.
- Beschädigte Schläuche vor Gebrauch des Grills auswechseln.
- Schlauch gemäß den nationalen Vorgaben auswechseln.
- Den Grill so aufstellen, dass der Schlauch nicht geknickt wird.

Platzieren der Gasflasche

Gasflaschen können auf den Boden neben dem Grill gestellt werden. GASFLASCHEN KÖNNEN STATT DESSEN AUF DAS UNTERE REGAL GESTELLT WERDEN. Gasflaschen dürfen maximal einen Durchmesser von 320 mm und eine Maximalhöhe von 480 mm haben. FALLS SIE GASFLASCHEN AUF DEN BODEN STELLEN, SOLLTEN SIE KEINE WEITEREN GASFLASCHEN AUF DAS UNTERE REGAL STELLEN.

Regler-Vorschriften

Mit diesem Grill muss ein Regler benutzt werden. Benutzen Sie nur einen Regler, der gemäß EN16129 (Durchflussleistung maximal 1,5 kg/h) sowie für Ihr Land als auch für das in den technischen Angaben genannte Gas zugelassen ist. Falls Sie Fragen in Bezug auf den geeigneten Regler und entsprechenden Gasbehälter für Ihren Grill haben, wenden Sie sich an eine(n) ausgebildete(n) und qualifizierte(n) Gas-Service-Techniker(in). Der/die Techniker(in) sollte darauf achten, dass er/sie die Modellnummer Ihres Gasgrills korrekt identifiziert, damit er/sie Sie richtig beraten kann.

Sicherheitshinweise

- Vor dem Öffnen des Gasflaschenventils den Regler auf Festigkeit hin überprüfen.
- Wenn der Grill nicht benutzt wird, alle Bedienknöpfe und Gaszufuhr abstellen.
- Benutzen Sie langstielige Grillutensilien und Grillhandschuhe, um sich vor Verbrennungen und Spritzern zu schützen. Beim Anfassen von heißen Bestandteilen Schutzhandschuhe tragen.
- Die Fettschale (sofern vorhanden) muss in den Grill eingesetzt sein und nach jedem Gebrauch entleert werden. Fettschale erst dann entfernen, wenn der Grill vollkommen abgekühlt ist.
- Beim Öffnen der Haube sehr vorsichtig sein, weil heißer Dampf entkommen könnte.
- Sehr vorsichtig sein, wenn Kinder, ältere Menschen, oder Haustiere sich in der Nähe befinden.
- Falls Sie feststellen, dass Fett oder sonstige heiße Substanzen vom Grill auf das Ventil, den Schlauch, oder den Regler tropfen, stellen Sie die Gaszufuhr sofort ab. Stellen Sie die Ursache fest, korrigieren Sie diese, und reinigen und inspizieren Sie dann das Ventil, den Schlauch und den Regler, bevor Sie weitermachen. Führen Sie eine Dichtigkeitsprüfung durch.
- Die Lüftungsöffnungen im Gasflaschengehäuse (Grillwagen) frei von Blockierungen und Abfallstoffen halten.
- Im Grillwagengehäuse keine Gegenstände oder Materialien aufbewahren, die den Verbrennungsluftstrom zur Unterseite des Bedienfelds oder der Brennkammerschale blockieren würden.
- Den Gasbehälter NICHT innerhalb von 3 m einer offenen Flamme oder sonstigen Zündquelle abnehmen oder auswechseln.

Umweltschutz

- Entsorgte elektrische Grills sind recycelbar und sollten nicht im Haushaltsmüll entsorgt werden! Bitte unterstützen Sie uns aktiv dabei, Ressourcen zu schonen und die Umwelt zu schützen, indem Sie diesen Grill auf eine Sammelstelle bringen (sofern vorhanden).



GASSICHERHEIT UND PFLEGE DER GASFLASCHE

Brenngas

- ist bei der Herstellung ungiftig, geruchlos und farblos. Im Interesse Ihrer Sicherheit wurde Brenngas ein Geruch zugefügt (ähnlich wie fauler Kohl), damit man es riechen kann.
- Brenngas ist leicht entzündlich und kann sich plötzlich entzünden, wenn es mit Luft vermischt wird.

Gasflaschen

- Die Gasflasche muss in einer aufrechten Lage installiert, transportiert und gelagert werden und sollte nicht fallen gelassen oder unsanft behandelt werden.
- Wenn der Grill im Innenbereich gelagert werden soll, muss die Gasflasche vom Grill getrennt werden.
- Wenn die Gasflasche nicht vom Grill entfernt wurde, müssen Grill und Flasche im Freien in einem gut belüfteten Bereich gelagert werden.
- Die Flasche sollte nie an einen Ort transportiert werden, wo die Temperatur 51 °C erreichen kann, und darf dort auch nicht gelagert werden.
- Flaschen müssen im Freien außer Reichweite von Kindern gelagert werden.
- Eine Gasflasche nie in geschlossenen Räumen wie einem Carport, einer Garage, Veranda, überdeckten Terrasse oder sonstigem Gebäude lagern.

Montage/Demontage von Gasflaschen

Montage der Gasflasche:

1. Vergewissern Sie sich, dass die Regelventile des Grills auf **OFF** [aus] gestellt sind.
2. Dichtheitsprüfung durchführen.

Gasflaschen-Demontage:

1. Regelventile auf **OFF** [aus] stellen.
1. Grill abkühlen lassen.

Zusätzliche Sicherheitsmaßnahmen

- Dieser Grill muss während des Gebrauchs von brennbaren Materialien ferngehalten werden.
- Beim Auswechseln der Gasflasche sicherstellen, dass der Grill von jeglicher Zündquelle ferngehalten wird.
- Die Gaszufuhr am Zylinder nach Gebrauch abstellen.
- Vermeiden Sie es, den Schlauch zu knicken.
- Den Schlauch auswechseln, wenn dies durch nationale Bestimmungen verlangt wird.
- Jedwede vom Hersteller versiegelten Teile dürfen nicht vom Anwender geändert werden.
- Jede Änderung des Grills könnte gefährlich sein.
- Die Gaszufuhr an der Gasflasche muss abgestellt sein, wenn Ihr Grill nicht in Gebrauch ist.
- **ACHTUNG:** Sicherstellen, dass das Flaschenventil geschlossen ist, wenn der Grill nicht in Gebrauch ist.
- Wenn Sie den Grill im Freien aufbewahren, zuerst die Gaszufuhr **ABSTELLEN** und die Gasflasche im Freien in einem gut belüfteten Bereich aufbewahren.
- Wenn Sie die Gasflasche nicht vom Grill abtrennen, sollten Sie sicherstellen, dass Grill und Gasflasche in einem gut belüfteten Bereich stehen.
- Die Gasflasche stets schließen, bevor Sie den Regler abtrennen.
- Gasflaschen müssen in aufrechter Position installiert, transportiert und gelagert werden.
- **WICHTIGER HINWEIS:** Wir empfehlen, dass Sie die Gasschlauchvorrichtung an Ihrem Grill alle fünf Jahre auswechseln. Es kann sein, dass die Bestimmungen einiger Länder es verlangen, dass der Gasschlauch innerhalb von weniger als fünf Jahren ausgewechselt wird. In einem solchen Fall hätte die Bestimmung des Landes Vorrang.

DICHTHEITSPRÜFUNG IHRES GRILLS

Dichtheitsprüfung

- Während der Dichtheitsprüfung den Grill von Flammen oder Funken fernhalten und nicht rauchen. Die Prüfung muss im Freien in einem gut durchlüfteten Bereich vorgenommen werden.
- Die Dichtheitsprüfung muss jeweils beim Auswechseln der Gasflasche oder nach Lagerung durchgeführt werden.

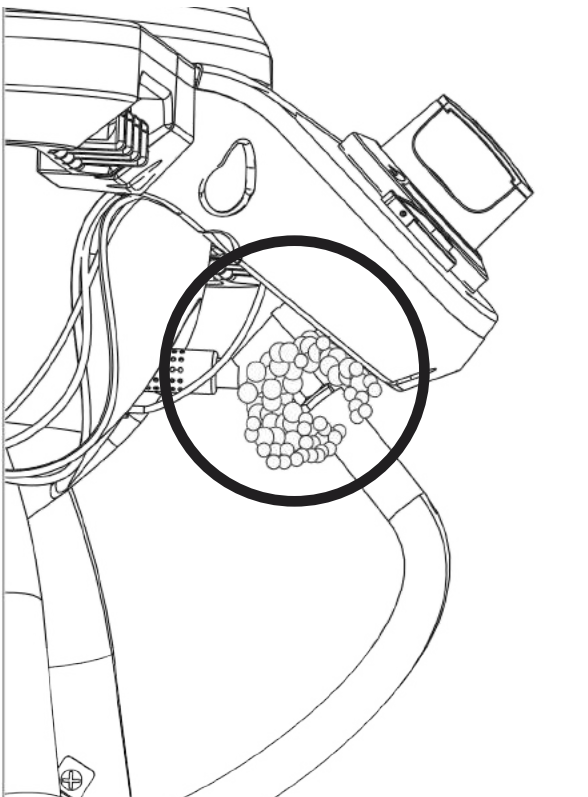
Erforderliche Materialien sind u.a. ein Pinsel und Seifenwasserlösung (je 50 % Seife und Wasser). Nur mildes Seifenwasser benutzen. Keine Haushaltsreinigungsmittel benutzen. Dadurch könnten die Bestandteile beschädigt werden.

VORGEHENSWEISE

1. Vergewissern Sie sich, dass die Bedienknöpfe und der Grill auf „OFF“ [aus] gestellt sind.
2. Schlauchanschluss mit der Seifenlösung bestreichen.
3. Auf der nächsten Seite ist die Durchführung einer Dichtheitsprüfung am Gasflaschen-Anschluss dargestellt.

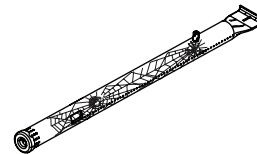
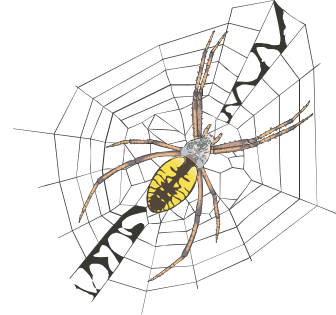
Wenn sich vergrößern Blasen bilden, besteht Undichtheit. Anschlüsse festziehen und Schritte 1 und 2 wiederholen.

Wenn Sie die Undichtheit nicht beheben können, entfernen Sie die Gasflasche vom Regler und prüfen Sie sie auf Gewindeschaden, Schmutz und Ablagerungen auf dem Regler und der Gasflasche. Überprüfen Sie auch, ob irgendetwas den Gaszufluss am Regler und den Öffnungen der Gasflasche blockiert. Jedwede festgestellte Blockierungen entfernen und die Dichtheitsprüfung wiederholen. Falls das Gewinde entweder am Regler oder an der Gasflasche beschädigt ist, sollte es ausgewechselt werden.



VORSICHT

SPINNENALARM



Falls Sie bemerken, dass Sie Schwierigkeiten beim Anzünden Ihres Grills haben oder die Flamme nicht ausreichend stark ist, sollten Sie sich die Zeit nehmen, den Brenner zu überprüfen und zu säubern.

In einigen Bereichen können Spinnen und kleine Insekten durch „Flammenrückschlag“ Probleme verursachen. Die Spinnen weben ihre Netze und legen Eier im Brennerrohr des Grills ab, wodurch der Gaszufluss zum Brenner blockiert wird. Das gestaute Gas kann sich im Brennerrohr entzünden. Dies ist als Flammenrückschlag bekannt und kann ihren Grill beschädigen und sogar Verletzungen verursachen.

Um Flammenrückschlag zu verehindern und gute Leistung zu gewährleisten, sollten der Brenner und das Brennerrohr vor Gebrauch jedes Mal, wenn der Grill längere Zeit nicht benutzt wurde, vom Grill entfernt und gereinigt werden.

FALLS SIE FOLGENDES FESTSTELLEN:

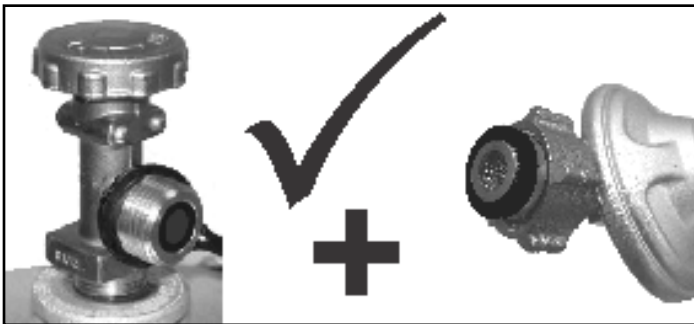
1. Gasgeruch.
2. Brenner lässt sich nicht anzünden.
3. Eine kleine, gelbe Flamme vom Brenner (sie sollte blau sein).
4. Flammen rund um oder hinter dem Bedienknopf.

STOPP!

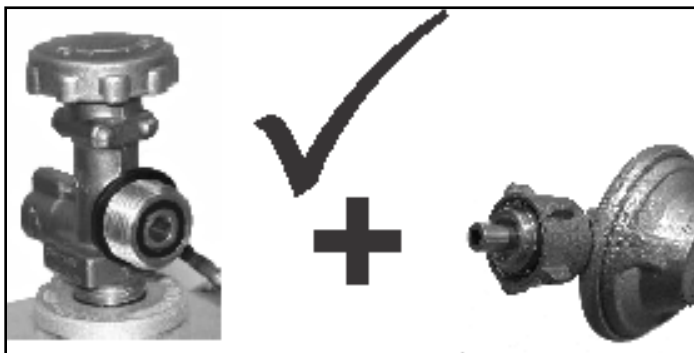
SOFORT DAS GAS AN ALLEN BEDIENKNÖPFEN ABSTELLEN!

1. Grill abkühlen lassen.
2. Brennerrohr mit einem 0,3 m Rohrreiniger reinigen.

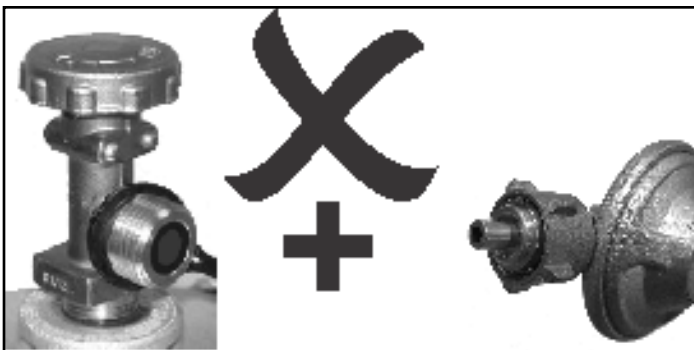
WICHTIG! - LESEN SIE BITTE!



CH Gasflasche + CH Druckregler



Ausland Gasflasche + Ausland Druckregler



CH Gasflasche + Ausland Druckregler



Ausland Gasflasche + CH Druckregler

Bei diesem Gerät muss ein Regler verwendet werden. Verwenden Sie nur einen Regler, der gemäß EN16129 (Durchflussmenge max. 1,5 kg / h) zertifiziert und für Ihr Land und das in den technischen Daten angegebene Gas zugelassen ist. Wenn Sie Fragen zum richtigen Regler und zum passenden Gastank für Ihr Gerät haben, wenden Sie sich an einen ausgebildeten und qualifizierten Gas-Servicetechniker. Der Techniker sollte die Modellnummer Ihres Gasgeräts korrekt identifizieren, damit er / sie genau beraten kann.

Nur für die Schweiz

Es besteht die Gefahr von Feuer und Explosion mit Gasgeräten, welche mit einem ausländischen Druckminderer reguliert werden. Diese sind nicht kompatibel mit den Gastanks und Gasdruckminderer, die in der Schweiz verfügbar sind.

Durch die unterschiedlichen Dichtungssysteme ist es unmöglich, den Regler ordnungsgemäß mit den Gastank zu versiegeln. Hier wird Gas entweichen und kann durchaus durch Flammen oder Funken Feuer fangen und sich entzünden. Ein Lebensbedrohliche Explosion und/oder Schäden ihres Eigentums könnten entstehen. Schweizerische und deutsche Gasflasche und Druckregler können nicht miteinander zusammengeführt werden.


Aus Sicherheitsgründen, überprüfen Sie bitte den Druckminderer Ihres Grills und Ihr Gastank-Anschluss und vergewissern Sie sich, dass es den abgebildeten Gebrauchsanweisungen entspricht.

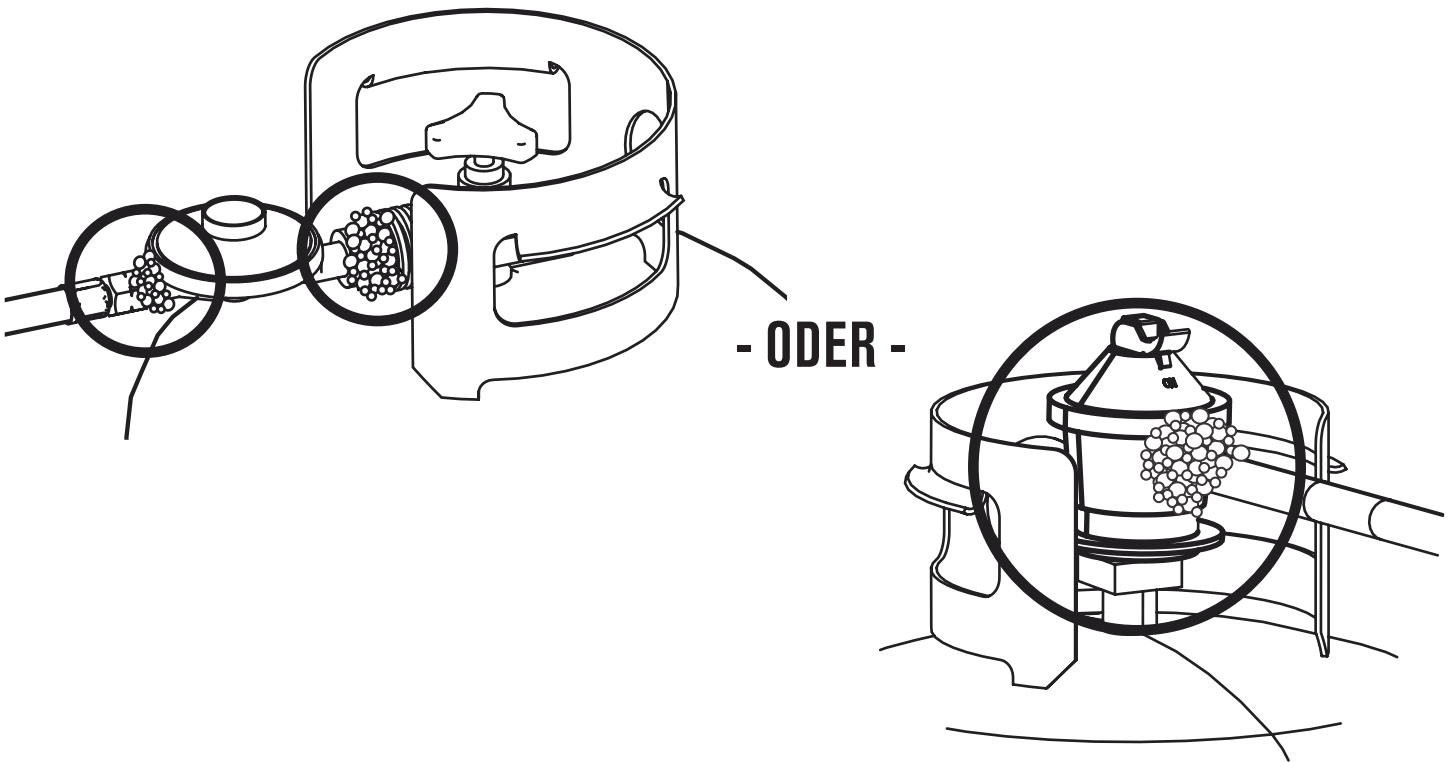
Führen Sie jedes Mal eine

Leckageprüfung durch, wenn Sie ihren Grill mit dem Gastank verbinden wollen.

DICHTHEITSPRÜFUNG IHRES GRILLS

DICHTHEITSPRÜFUNG VOR ERSTGEBRAUCH, MINDESTENS EINMAL IM JAHR UND JEDES MAL, WENN DIE GASFLASCHE AUSGEWECHSELT ODER ABMONTIERT WIRD.




1. Alle Bedienknöpfe am Grill auf  stellen.
2. Sicherstellen, dass der Regler eng mit der Gasflasche verbunden ist.
3. Gas andrehen. Wenn Sie ein brausendes Geräusch hören, Gaszufuhr sofort abdrehen. Es liegt eine erhebliche Undichtheit an der Verbindung vor. Korrigieren Sie diese, bevor Sie weitermachen.
4. Seifenlösung (Mischung aus zur Hälfte Seife und zur Hälfte Wasser) auf die Schlauchverbindungen pinseln.
5. Falls sich Blasen bilden, die größer werden, liegt Undichtheit vor. Gaszufuhr an der Gasflasche sofort abstellen und Dichtheit der Verbindungen überprüfen. Falls die Undichtheit nicht gestoppt werden kann, versuchen Sie nicht, sie zu reparieren. Fordern Sie Ersatzteile an.
6. Nach Durchführung einer Dichtigkeitsprüfung stets das Gas an der Gasflasche abstellen.



FÜR IHRE SICHERHEIT - BEDIENUNG IHRES GRILL

Starten des Zündgeräts

VOR DEM ANZÜNDEN ANWEISUNGEN LESEN. Während des Anzündens NICHT über den Grill lehnen.

1. Das Regelventil des Gasbrenners auf  stellen.
2. Gasflasche auf AN [ON] stellen.
3. Grilldeckel öffnen.
4. Bedienknopf drücken und auf Zündposition  stellen.
5. Den ELEKTRONISCHEN ZÜNDGERÄT-Knopf drücken und gedrückt halten, bis der Brenner angezündet ist.
6. Sobald der Brenner angezündet ist, den Bedienknopf auf die gewünschte Einstellung drehen.
7. Falls Zündung nicht in 5 Sekunden erfolgt, Brenner-Bedienknopf auf  stellen, 5 Minuten warten, und Anzündungsvorgang wiederholen.





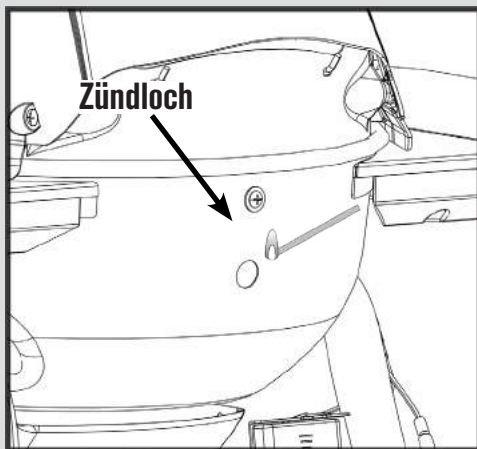
ACHTUNG

Bedienungselemente auf AUS [OFF] stellen und Flüssiggasflasche entfernen, wenn sie nicht benutzt wird.

Anzünden mit Zündholz

Während des Anzündens NICHT über den Grill lehnen.

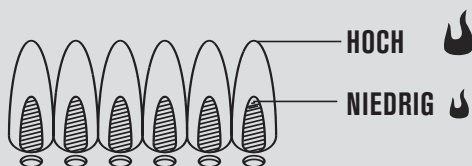
1. Bedienungselement des Gasbrenners auf  stellen.
2. Gas an der Gasflasche auf AN [ON] stellen.
3. Grilldeckel öffnen.
4. Zündholz anzünden. Zündholz in das Zündloch geben. Zündholz nahe an den Brenner legen.
5. Brenner-Bedienknopf drücken und auf  einstellen.




Überprüfung der Brennerflamme

Brenner anzünden. Sicherstellen, dass der Brenner angezündet bleibt, während Sie den Brenner-Bedienknopf



von  auf  stellen. Flamme vor jedem Gebrauch überprüfen.



Vor dem ersten Grillen

- Den Grill auf Dichtheit prüfen. Den Grill 15 Minuten lang in Betrieb halten, wobei die Grill-Bedienelemente auf  gestellt sein sollten. Die hohen Temperaturen werden die inneren Komponenten reinigen und den Geruch der Grill-Lackierung beseitigen.

Grill ausschalten

- Den Grill nach dem Grillen ausschalten, indem der Bedienknopf auf  OFF gestellt wird. Der Bedienknopf sollte auf Einstellung  OFF springen. Wenn der Bedienknopf nicht erscheint, die Gasflasche entfernen, um den Grill auszuschalten und die Ventil-Baugruppe auszuwechseln.
- Den Grill vor der Lagerung vollkommen abkühlen lassen.

Lagerung Ihres Grills

- Grill vollkommen abkühlen lassen.
- Flüssiggasflasche entfernen und Schutzkappe über dem Austrittsgewinde anbringen.

Wenn der Grill sich nicht anzünden lässt

- Vergewissern Sie sich, dass die Gaszufuhr an der Gasflasche abgestellt ist. Sicherstellen, dass sich in der Gasflasche Gas befindet.
- Gibt die Zündvorrichtung ein Zündgeräusch von sich?
- Falls ja, prüfen Sie, ob Funken am Brenner zu sehen sind.
- Falls keine Funken da sind, auf beschädigte oder lose Kabel hin untersuchen.
- Wenn die Kabel in Ordnung sind, auf eine gerissene oder beschädigte Elektrode hin untersuchen; ersetzen, falls erforderlich.
- Falls Kabel oder Elektroden mit Grillrückständen bedeckt sind, die Elektrode mit einem Alkoholwischtuch reinigen, falls erforderlich. Kabel auswechseln, falls erforderlich.
- Falls kein Ton zu hören ist, Batterie überprüfen.
- Sicherstellen, dass die Batterie richtig installiert ist.
- Auf eine lose Kabelverbindung am Modul und Schaler hin untersuchen.
- Falls die Zündvorrichtung weiterhin nicht funktioniert, benutzen Sie ein Zündholz.

PFLEGE UND WARTUNG IHRES GRILLS

Reinigung der Brennerkonstruktion

Befolgen Sie diese Anweisungen zum Reinigen und/oder Auswechseln von Teilen der Brennerkonstruktion oder wenn Sie Schwierigkeiten beim Anzünden des Grills haben.

1. Das Gas am Bedienknopf und an der Gasflasche abdrehen [OFF] und den Regler von der Gasflasche lösen.
2. Fettschale entfernen. Obere Abdeckung abnehmen, Grillrost, Wärmehalter und Warmhalterost entfernen. Dies legt den Brenner von innen frei.
3. Arbeiten Sie von der Unterseite des Grills. Entfernen Sie 3 Muttern, die den Brenner am Boden befestigen.
4. Heben Sie den Brenner von der Oberseite des Grills vorsichtig heraus.
5. Falls Öffnungen verstopft sind, sie mit einem steifen Draht, z. B. einer geöffneten Büroklammer, reinigen.
6. Brenner wie unten empfohlen reinigen.

Die Brennerrohre können auf drei verschiedene Arten gereinigt werden. Benutzen Sie diejenige, die für Sie am leichtesten ist.

- Einen steifen Draht (ein leichter Kleiderbügel eignet sich hierzu) in die Form eines kleinen Hakens biegen. Den Haken mehrmals durch jedes Brennerrohr schieben.
- Eine schmale Flaschenbürste mit biegbarem Stiel benutzen (keinen Messingdraht benutzen). Die Bürste mehrmals durch jedes Brennerrohr schieben.
- Tragen Sie Augenschutz: Einen Luftschlauch benutzen, um Luft in das Brennerrohr und aus den Brenneröffnungen hinaus zu blasen. Jede Öffnung überprüfen, um sicherzustellen, dass aus jeder Öffnung Luft ausweicht.

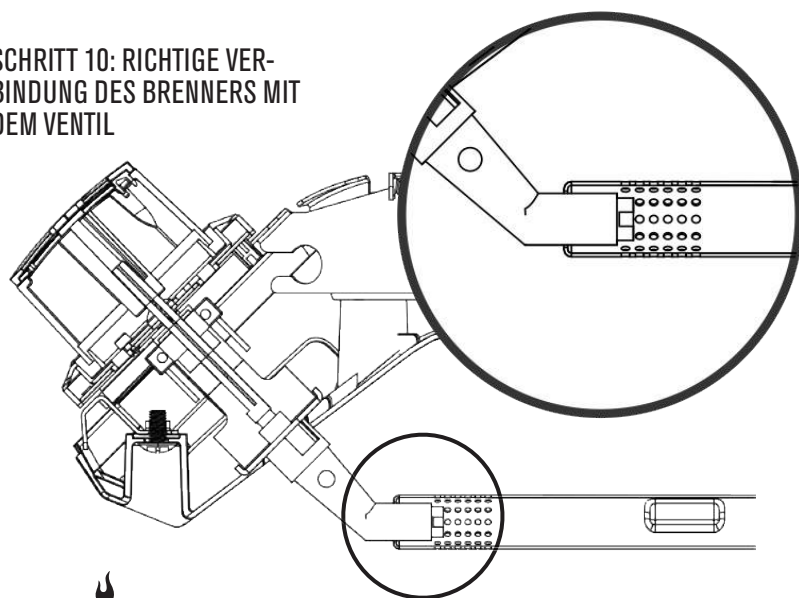


7. Mit einer Drahtbürste die gesamte Oberfläche des Brenners reinigen, um Essensreste und Schmutz zu entfernen.
8. Falls Öffnungen verstopft sind, sie mit einem steifen Draht, z. B. einer geöffneten Büroklammer, reinigen.
9. Brenner auf Beschädigung durch normale Abnutzung und Korrosion überprüfen; es kann sein, dass sich einige der Löcher vergrößern. Falls Sie grosse Risse oder Löcher feststellen, ersetzen Sie den Brenner.

ÄUSSERST WICHTIG: Brennerrohre müssen wieder in die Ventilöffnungen eingreifen. Siehe nachfolgende Abbildung.

10. Elektrode am Brenner befestigen.
11. Brenner vorsichtig wieder einsetzen.
12. Brenner an der Brennkammer-Halterung befestigen.
13. Grillplatten wieder einsetzen.
14. Bevor Sie wieder mit Ihrem Grill grillen, führen Sie eine „Dichtheitsprüfung“ und eine „Brennerflammenprüfung“ durch.

SCHRITT 10: RICHTIGE VERBINDUNG DES BRENNERS MIT DEM VENTIL



Lagerung Ihres Grills

- Grillroste reinigen.
- An einem trockenen Standort lagern.
- Wenn die Gasflasche an den Grill angeschlossen ist, im Freien in einem gut belüfteten, für Kinder unzugänglichen Bereich lagern.
- Bei Lagerung im Freien, Grill zudecken.
- Grill NUR dann in Innenbereichen lagern, wenn die Gasflasche vom Grill abgenommen ist und entfernt vom Grill im Freien gelagert wird.
- Wenn Sie den Grill aus dem Lagerbereich entfernen, prüfen Sie, ob der Brenner blockiert ist.

Allgemeines Reinigen des Grills

- Den Grill oft reinigen, vorzugsweise nach jedem Grillen. Falls ein Borstenpinsel zur Reinigung irgendwelcher Grilloberflächen benutzt wird, sicherstellen, dass vor dem nächsten Grillen keine losen Borsten auf den Grilloberflächen übrigbleiben. Es ist nicht empfehlenswert, die Grilloberfläche zu reinigen, während der Grill heiß ist. Der Grill sollte mindestens einmal im Jahr gereinigt werden.
- Braune oder schwarze Ansammlungen von Fett und Rauch nicht mit Lackierung verwechseln. Die inneren Teile eines Gasgrills werden in der Fabrik nicht lackiert (und sollten nie lackiert werden). Wenden Sie eine konzentrierte Lösung von Spülmittel und Wasser an oder benutzen Sie einen Grillreiniger mit einer Scheuerbürste an der Innenseite des Grilldeckels und an der Unterseite des Grills. Spülen und vollkommen lufttrocknen lassen. Auf lackierten Oberflächen keine ätzenden Grill-/Ofenreinigungsmittel verwenden.
- **Kunststoffteile:** Mit warmem Seifenwasser reinigen und trocken wischen. Für Kunststoffteile keine abrasiven Reinigungsmittel, Entfettungsmittel oder konzentrierten Grillreinigungsmittel benutzen. Dies könnte Schäden und Ausfall von Teilen zur Folge haben.
- **Porzellanoberflächen:** Aufgrund der glasähnlichen Komposition können die meisten Rückstände mit einer Lösung aus Backpulver und Wasser oder einem speziell formulierten Reinigungsmittels weggewischt werden. Zur Entfernung von hartnäckigen Flecken nicht-abrasives Scheuermittel verwenden.
- **Lackierte Oberflächen:** Mit einem milden Spülmittel oder nichtscheuerndem Reinigungsmittel und warmem Seifenwasser waschen. Mit einem weichen, nichtscheuernden Tuch trockenwischen.
- **Edelstahloberflächen:** Zur Erhaltung des hochwertigen Aussehens Ihren Grill nach jedem Gebrauch mit einem milden Reinigungsmittel und warmer Seifenlauge waschen und mit einem weichen Tuch trockenwischen. Bei angebackenen Fettablagerungen kann die Anwendung eines abrasiven Reinigungspads aus Kunststoff erforderlich sein. Nur in Richtung der gebürsteten Oberfläche anwenden, um Beschädigung zu vermeiden. Auf Oberflächen mit Grafiken keine scheuernden Reinigungspads verwenden.
- **Grilloberflächen:** Falls ein Borstenpinsel zur Reinigung irgendwelcher Grilloberflächen benutzt wird, sicherstellen, dass vor dem nächsten Grillen keine losen Borsten auf den Grilloberflächen übrigbleiben. Es ist nicht empfehlenswert, die Grilloberfläche zu reinigen, während der Grill heiß ist.

FEHLERSUCHE

NOTFÄLLE: Falls ein Gasaustritt nicht gestoppt werden kann oder durch einen Gasaustritt ein Brand entsteht, rufen Sie die Feuerwehr an.

<u>NOTFÄLLE</u>	<u>MÖGLICHE URSACHE</u>	<u>VORBEUGUNG/LÖSUNG</u>
Gasaustritt aus der Gasflasche.	<ul style="list-style-type: none"> Mechanisches Versagen wegen Rostbildung oder falscher Handhabung. 	<ul style="list-style-type: none"> Gasflasche austauschen.
Gasaustritt an der Verbindung zwischen dem Gasflaschenventilregler und dem Regelventil am Regler.	<ul style="list-style-type: none"> Unsachgemäße Installation, undichte Verbindung, Versagen der Gummidichtung. 	<ul style="list-style-type: none"> Das Regler-Regelventil von der Gasflasche entfernen und visuell auf Beschädigungen überprüfen. Siehe Gasflaschen-Dichtheitsprüfung und Verbinden des Regler-Regelventils an die Gasflasche.
Flammen kommen aus der Brenner-Regelventil-Verbindung	<ul style="list-style-type: none"> Durch Verstopfung verursachter Brand im Brennerrohr-Teil des Brenners. 	<ul style="list-style-type: none"> Bedienknopf ausschalten. Nachdem das Feuer ausgegangen ist und der Grill abgekühlt ist, den Brenner entfernen und auf Spinnennester oder Rost überprüfen. Siehe Seiten hinsichtlich Naturgefahren und Reinigen der Brenner-Baugruppe.
Flammen kommen von unter dem Bedienfeld.	<ul style="list-style-type: none"> Durch Verstopfung verursachter Brand im Brennerrohr-Teil des Brenners. 	<ul style="list-style-type: none"> Bedienknopf und Gasflaschenventil ausschalten. Nachdem das Feuer ausgegangen ist und der Grill abgekühlt ist, den Brenner entfernen und auf Spinnennester oder Rost überprüfen. Siehe Seiten hinsichtlich Naturgefahren und Reinigen der Brenner-Baugruppe.
Fettbrand oder beständige, übermäßige Flammen überhalb der Grilloberfläche.	<ul style="list-style-type: none"> Im Grillbereich hat sich zu viel Fett angesammelt. 	<ul style="list-style-type: none"> Bedienknopf und Gasflaschenventil ausschalten. Nach dem Abkühlen Speisereste und überschüssiges Fett von der Oberfläche des Grills, der Fettschale und anderen Oberflächen entfernen.

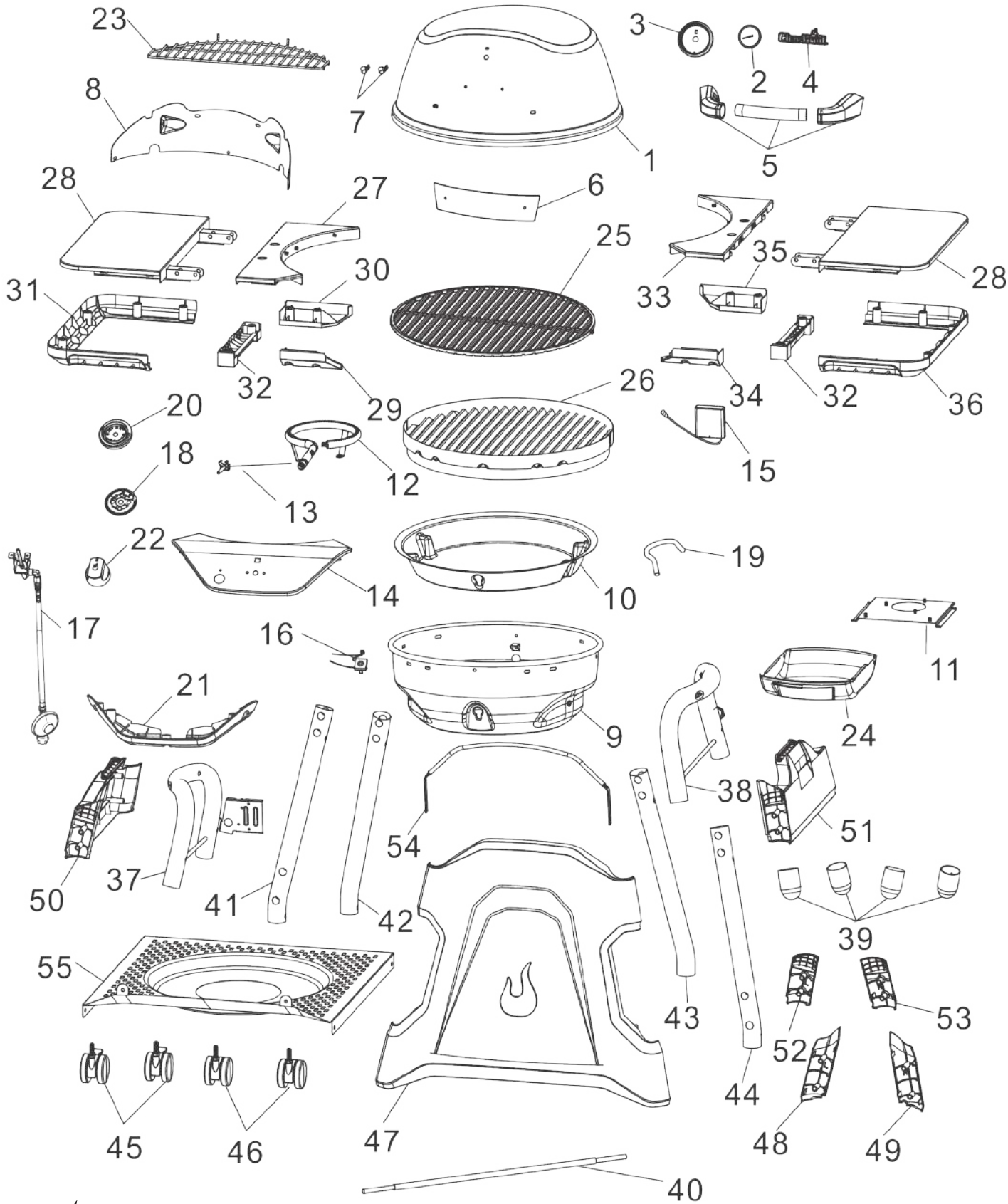
PROBLEME UND LOSÜNGEN

<u>PROBLEM</u>	<u>MÖGLICHE URSACHE</u>	<u>VORBEUGUNG/LÖSUNG</u>
Der/die Brenner läßt/lassen sich mit dem Zündgerät nicht anzünden.	GAS-PROBLEME: <ul style="list-style-type: none"> Brenner nicht an Regelventil angeschlossen. Blockierung im Brenner. Kein Gaszufluss. Regler und Gasflaschenventil nicht vollkommen angeschlossen. Regelventil-Knopf erscheint NICHT in der OFF- Einstellung. 	<ul style="list-style-type: none"> Sicherstellen, dass das Regelventil an der Innenseite des Brennerrohrs positioniert ist. Sicherstellen, dass das Regelventil nicht mit Spinnweben oder anderen Substanzen verstopft ist. Siehe Abschnitt über Reinigung der Beschreibung über Nutzung und Pflege. Sicherstellen, dass die Gasflasche nicht leer ist. Gasflasche entfernen. Gewinde an der Gasflasche und dem Regelventil am Regler reinigen. Regler austauschen. Ventil/Verteiler-Baugruppe austauschen.
	ELEKTRISCHE PROBLEME: <ul style="list-style-type: none"> Elektrode ist rissig oder beschädigt; „Funken am Riss“. Elektrode und Brenner sind nass Kabel and/oder Elektrode sind mit Grillrückständen bedeckt. Kabel sind lose oder getrennt. Kabel-Kurzschlüsse (Funken) zwischen Zündgerät und Elektrode. 	

FEHLERSUCHE

PROBLEM	MÖGLICHE URSACHE	VORBEUGUNG/LÖSUNG
Brenner lässt/lassen sich nicht mit einem Zündholz anzünden.	<ul style="list-style-type: none"> • Siehe „GAS PROBLEME“. • Kann mit dem Zündholz nicht erreicht werden. • Unsachgemäßes Anzünden mit Zündholz. 	<ul style="list-style-type: none"> • Langstieliges Zündholz benutzen (Kamin-Zündholz). • Siehe Abschnitt „Anzünden mit Zündholz“ unter Anzünden des Grills.
Plötzlicher Rückgang des Gaszuflusses oder schwache Flamme.	<ul style="list-style-type: none"> • Kein Gas mehr. 	<ul style="list-style-type: none"> • Gasflasche auf Gas hin überprüfen.
Flammen erlöschen.	<ul style="list-style-type: none"> • Starke oder böige Winde. • Nur noch wenig Gas. 	<ul style="list-style-type: none"> • Vorderseite des Grills dem Wind entgegen stellen oder Flamme verstärken, indem Sie das Gasventil höher einstellen. • Gasflasche auswechseln.
Aufflammen.	<ul style="list-style-type: none"> • Fettablagerung. • Zu fetthaltiges Fleisch. • Grilltemperatur zu hoch. 	<ul style="list-style-type: none"> • Brenner und Grill-Kochoberfläche reinigen. • Vor dem Grillen Fett vom Fleisch entfernen. • Kochtemperatur entsprechend anpassen (niedriger stellen).
Hartnäckiger Fettbrand.	<ul style="list-style-type: none"> • Sich in Lebensmittelablagern befindendes Fett. 	<ul style="list-style-type: none"> • Knöpfe auf OFF [aus] stellen. Feuer ausbrennen lassen. Nach dem Abkühlen des Grills alle Teile entfernen und reinigen.
Flammenrückschlag (Flammen im/in den Brennerrohr(en)).	<ul style="list-style-type: none"> • Brenner oder Brennerrohre sind verstopft. 	<ul style="list-style-type: none"> • Knöpfe auf OFF [aus] stellen. Brenner oder Brennerrohre reinigen. Siehe Abschnitt hinsichtlich Reinigen der Brenner unter Pflege und Wartung in dieser Beschreibung.

REPLACEMENT PARTS DIAGRAM



REPLACEMENT PARTS LIST

Key	Qty	Description
1	1	KIT, TOP LID
2	1	TEMPERATURE GAUGE
3	1	BEZEL, F/ TEMPERATURE GAUGE
4	1	KIT, LOGO PLATE F/ LID
5	1	KIT, HANDLE, F/ LID
6	1	KIT, HEAT SHIELD, F/ HANDLE
7	1	KIT, TOP LID HINGE PINS (SET OF 2)
8	1	KIT, REAR PANEL, TOP LID
9	1	FIREBOWL
10	1	KIT, HEAT SHIELD, F/ FIREBOWL
11	1	KIT, GREASE TRAY SUPPORT
12	1	KIT, MAIN BURNER
13	1	ELECTRODE SET, F/ BURNER
14	1	KIT, CONTROL PANEL
15	1	ELECTRONIC IGNITION MODULE
16	1	IGNITION SWITCH W/ WIRES
17	1	KIT, VALVE ASSEMBLY
18	1	LED MODULE, VALVE
19	1	WIRE HARNESS TUBE
20	1	KIT, BEZEL F/ CONTROL KNOB
21	1	KIT, BOTTOM SKIRT, CONTROL PANEL
22	1	CONTROL KNOB
23	1	WARMING RACK
24	1	GREASE TRAY
25	1	COOKING GRATE
26	1	EMITTER, F/ COOKING GRATE
27	1	LEFT SIDE SHELF, FIXED
28	2	KIT, FOLDING SHELF
29	1	KIT, FRONT BOTTOM SKIRT, FIXED LEFT SHELF
NOT Pictured		
...	1	PRODUCT GUIDE, EUROPE
...	1	HARDWARE PACK
...	1	GRATE CLEANING TOOL
...	1	CUP HOLDER/ BOTTLE OPENER (A1 ONLY)

Key	Qty	Description
30	1	KIT, REAR BOTTOM SKIRT, FIXED LEFT SHELF
31	1	KIT, BOTTOM SKIRT, FOLDING LEFT SHELF
32	2	LIFT HANDLE, SIDE SHELF
33	1	RIGHT SIDE SHELF, FIXED
34	1	KIT, FRONT BOTTOM SKIRT, FIXED RIGHT SHELF
35	1	KIT, REAR BOTTOM SKIRT, FIXED RIGHT SHELF
36	1	KIT, BOTTOM SKIRT, FOLDING RIGHT SHELF
37	1	LEG ASSY, TOP LEFT
38	1	LEG ASSY, TOP RIGHT
39	4	LEG CAP
40	1	LEG SUPPORT WIRE, STRAIGHT
41	1	LEFT LEG ASSEMBLY, FRONT
42	1	LEFT LEG ASSEMBLY, REAR
43	1	RIGHT LEG ASSEMBLY, FRONT
44	1	RIGHT LEG ASSEMBLY, REAR
45	2	CASTER, LOCKING
46	2	CASTER, NON-LOCKING
47	1	FRONT PANEL
48	1	LEFT CAP, FRONT PANEL
49	1	RIGHT CAP, FRONT PANEL
50	1	LEFT PANEL, F/ CART
51	1	RIGHT PANEL, F/ CART
52	1	LEFT CAP, SIDE PANEL
53	1	RIGHT CAP, SIDE PANEL
54	1	CART SUPPORT, CURVED
55	1	BOTTOM SHELF

NOTE: Some grill parts shown in the assembly steps may differ slightly in appearance from those on your particular grill model. However, the method of assembly remains the same.


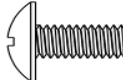



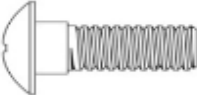







ERSATZTEILLISTE

Schlüssel	Menge	Beschreibung
1	1	KIT, DECKEL
2	1	TEMPERATURANZEIGE
3	1	RAHMEN, F / TEMPERATURANZEIGE
4	1	KIT, LOGO-PLATTE F / DECKEL
5	1	KIT, GRIFF, F / DECKEL
6	1	KIT, HITZESCHILD, F / GRIFF
7	1	KIT, TOP-DECKELSCHARNIERSTIFTE (2 PRO SATZ)
8	1	KIT, RÜCKSEITE, DECKEL
9	1	FEUER-SCHÜSSEL
10	1	KIT, HITZESCHILD, F/ FEUERSCHALE
11	1	KIT, FETTWANNENHALTERUNG
12	1	KIT, HAUPTBRENNER
13	1	ELEKTRODE SET FÜR BRENNER
14	1	KIT, BEDIENFELD
15	1	ELEKTRONISCHES ZÜNDUNGSMODUL
16	1	ZÜNDSCALTER MIT KABELN
17	1	KIT,VENTIL-MONTAGE
18	1	LED-MODUL, VENTIL
19	1	KABELSCHLAUCH
20	1	KIT, RAHMEN FÜR STEUERKNOPF
21	1	KIT, UNTERE VERKLEIDUNG, BEDIENFELD
22	1	DER REGLERKNOPF
23	1	WARMHALTEROST
24	1	FETTAUFFANGSCHALE
25	1	GRILLROST
26	1	EMITTER FÜR GRILLROST
27	1	LINKE SEITENABLAGE, FEST
28	2	KIT, KLAPPBARE ABLAGE
29	1	KIT, VORDERE UNTERE VERKLEIDUNG, FESTE LINKE ABLAGE
NICHT abgebildet		
...	1	PRODUKTFÜHRER, EUROPA
...	1	SCHRAUBENSET
...	1	REINIGUNGSWERKZEUG
...	1	GETRÄNKEHALTER / FLASCHENÖFFNER (NUR A1)

Schlüssel	Menge	Beschreibung
30	1	KIT, HINTERE UNTERE VERKLEIDUNG, FESTE LINKE ABLAGE
31	1	KIT, UNTERE VERKLEIDUNG, KLAPPBARE LINKE ABLAGE
32	2	HEBEGRIFF, SEITLICHE ABLAGE
33	1	RECHTE SEITENABDECKUNG, FEST
34	1	KIT, VORDERE UNTERE VERKLEIDUNG, FESTE RECHTE ABLAGE
35	1	KIT, UNTERE ENDLEISTE, FESTE RECHTE ABLAGE
36	1	KIT, UNTERE VERKLEIDUNG, KLAPPBARE RECHTE ABLAGE
37	1	OBERE LINKE BEINBAUGRUPPE
38	1	OBERE RECHTE BEINBAUGRUPPE
39	4	KAPPE FÜR BEIN
40	1	STÜTZDRAHT, GERADE
41	1	LINKE BEINMONTAGE, VORNE
42	1	LINKE BEINMONTAGE, HINTEN
43	1	RECHTE BEFESTIGUNG VORNE
44	1	RECHTE BEINMONTAGE, HINTEN
45	2	ROLLEN FESTSTELLBAR
46	2	ROLLEN NICHT FESTSTELLBAR
47	1	FRONTBLENDE
48	1	LINKE KAPPE, FRONTSEITE
49	1	RECHTE KAPPE, FRONTSEITE
50	1	LINKE BLENDE, F/ WAGEN
51	1	RECHTE BLENDE, F/ WAGEN
52	1	LINKE KAPPE, SEITENPLATTE
53	1	RECHTE KAPPE, SEITENPLATTE
54	1	WAGENSTÜTZE, GEBOGEN
55	1	GRUNDBODEN

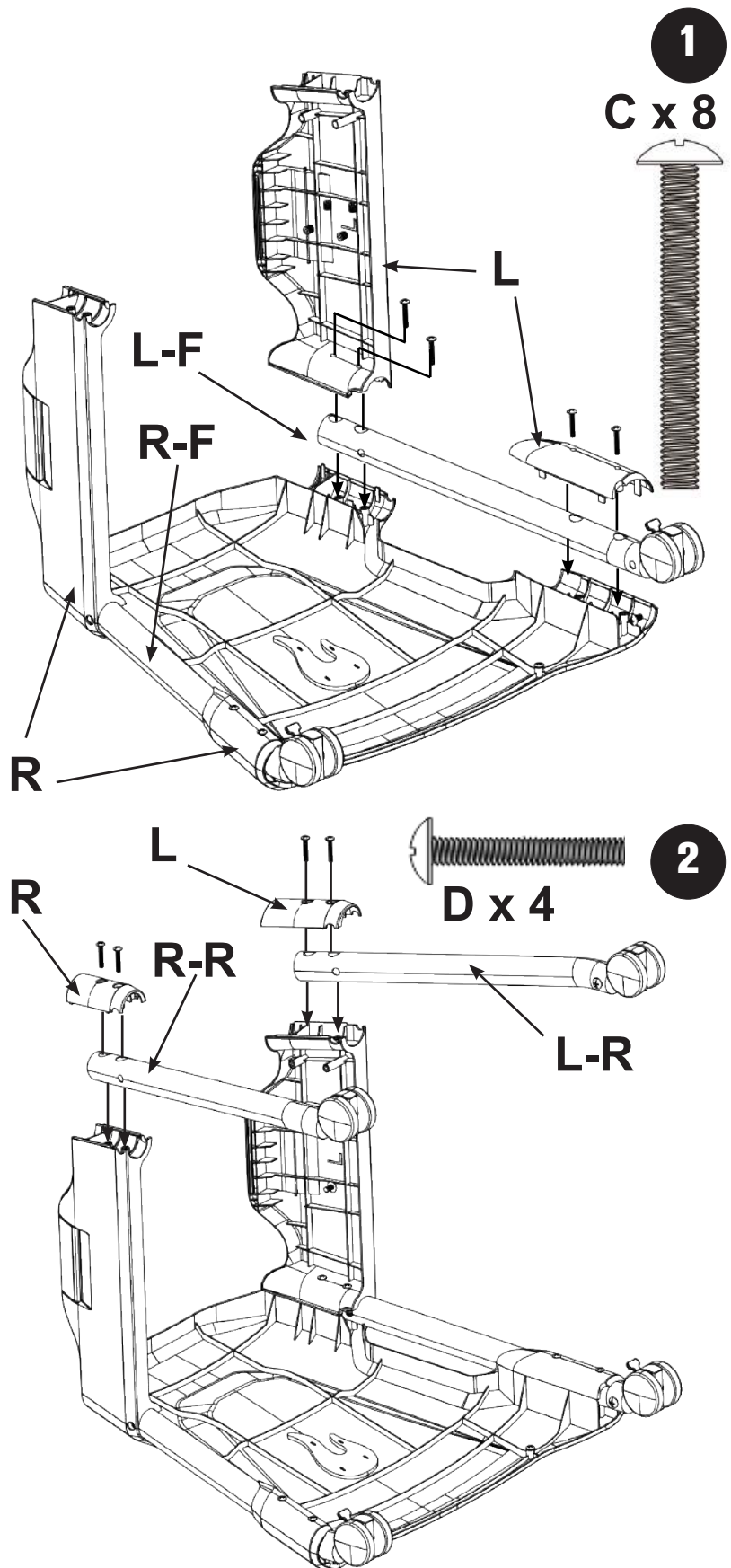
HINWEIS: Einige in den Montageschritten abgebildete Grillteile können in ihrem Aussehen geringfügig von denen Ihres Grillmodells abweichen. Die Montageart bleibt jedoch gleich.

HARDWARE - EISENWAREN

Key-Schlüssel	Description Beschreibung	Picture Bild	Qty Menge
A	1/4-20X2" Machine Screw 1/4-20X2" Akkuschauber		4
B	1/4-20X1/2" Machine Screw 1/4-20X1/2" Akkuschauber		4
C	#10-24X2 1/8" Machine Screw #10-24X2 1/8" Akkuschauber		8
D	#10-24X1 1/2" Machine Screw #10-24X1 1/2" Akkuschauber		4
E	#10-24X3/8" Machine Screw #10-24X3/8" Akkuschauber		7
F	1/4-20X3/8" Shoulder Screw 1/4-20X3/8" Schulterschraube		2
G	#8X3/8" Self-Tapping Screw Selbstschneidende Schraube		5
H	#10 Fiber Washer #10 Unterleg Ballaststoff		7
I	#10 Flat Washer #10 Unterleg		6
J	#10-24 Nut #10-24 Nuss		9
K	10.3mm Cable Strap 10.3mm Kabelbinder		4
L	16mm Cable Strap 16mm Kabelbinder		1
M	1/4-20 Cap Nut 1/4-20 Hutmutter		2

ASSEMBLY - MONTAGE

- To maintain the finish and protect your front panel from damage, use a blanket, soft protective pad, or the large plastic bag used for protecting the top lid for shipping.
- Verwenden Sie zum Erhalt der Oberfläche und zum Schutz Ihrer Frontplatte vor Beschädigungen eine Decke, ein weiches Schutzpad oder die große Plastiktüte, die zum Schutz des oberen Deckels beim Versand verwendet wird.
- Pour maintenir la finition et protéger votre panneau avant des dommages, utilisez une couverture, un coussinet de protection souple ou le grand sac en plastique utilisé pour protéger le couvercle supérieur lors de l'expédition.
- For at opretholde overfladen og beskytte frontpanelet mod beskadigelse, brug et tæppe, blød beskyttelsespudder eller den store plastpose, som bruges til at beskytte det øverste låg til forsendelse.
- Chcete-li zachovat povrch a chránit přední panel před poškozením, použijte přikrývku, měkkou ochrannou podložku nebo velký plastový sáček používaný k ochraně horního víka pro přepravu.
- Ak chcete zachovať povrchovú úpravu a chrániť predný panel pred poškodením, použite prikrývku, mäkkú ochrannú podložku alebo veľký plastový vak, ktorý sa používa na ochranu horného veka na prepravu.
- For å opprettholde overflaten og beskytte frontpanelet mot skade, bruk et teppe, mykt beskyttelsespudder eller den store plastposen som brukes til å beskytte topplokket for frakt.
- Om de afwerking te behouden en uw voorpaneel tegen beschadiging te beschermen, gebruikt u een deken, een zachte beschermhoes of de grote plastic zak die wordt gebruikt om het bovendeksel te beschermen voor verzending.
- Per mantenere la finitura e proteggere il pannello anteriore da eventuali danni, utilizzare una coperta, un pad protettivo morbido o l'ampio sacchetto di plastica utilizzato per proteggere il coperchio superiore per la spedizione.
- Για να διατηρήσετε το φινιρίσμα και να προστατέψετε το μπροστινό σας πλαίσιο από ζημιά, χρησιμοποιήστε μια κουβέρτα, μαλακή προστατευτική επένδυση ή τη μεγάλη πλαστική σακούλα που χρησιμοποιείται για την προστασία του άνω καλύμματος για αποστολή.
- Para manter o acabamento e proteger o painel frontal de danos, use um cobertor, uma almofada protetora macia ou o grande saco plástico usado para proteger a tampa superior para transporte.
- Para mantener el acabado y proteger su panel frontal contra daños, use una manta, una almohadilla protectora suave o la bolsa de plástico grande que se usa para proteger la tapa superior para el envío.
- Pentru a menține finisajul și pentru a vă proteja panoul frontal de deteriorări, utilizați o pătură, o pătură protectoare moale sau punga de plastic mare utilizată pentru a proteja capacul de sus pentru transport.
- За да поддържате покритието и да предпазите вашия преден панел от повреда, използвайте одеяло, мека защитна подложка или голямата пластмасова торбичка, използвана за защита на горния капак за транспортиране.
- A burkolat megőrzése és az előlap sérülése elleni védelem érdekében használjon takarót, puha védőburkolatot vagy a műanyag fedelet, amelyet a felső fedél védelmére használnak.
- הכימשה שמתשה, קצנ ינפמ ימדקה חולה לע וגהלו מוסיח לע רומשל ידכ הסכמה לע הנגהל תשמשה הלודגה קיטסלפה תיקשב או רך וגמ חולה חולשמל וילעה.
- Til að viðhalda ljúka og vernda framhliðina gegn skemmdum, notaðu teppi, mjúkan hlífðarpúða eða stóra plastpokann sem notaður er til að vernda efsta lokid fyrir flutning.
- För att behålla finishen och skydda din frontpanel mot skador, använd en filt, mjuk skyddsplatta eller den stora plastpåsen som används för att skydda det övre locket för frakt.
- Pinnoitteen säilyttämiseksi ja etupaneelin suojaamiseksi vaurioilta käytä peittoa, pehmeää suojauspatjaa tai suurta muovipussia, jota käytetään suojaamaan yläkansi toimitusta varten.

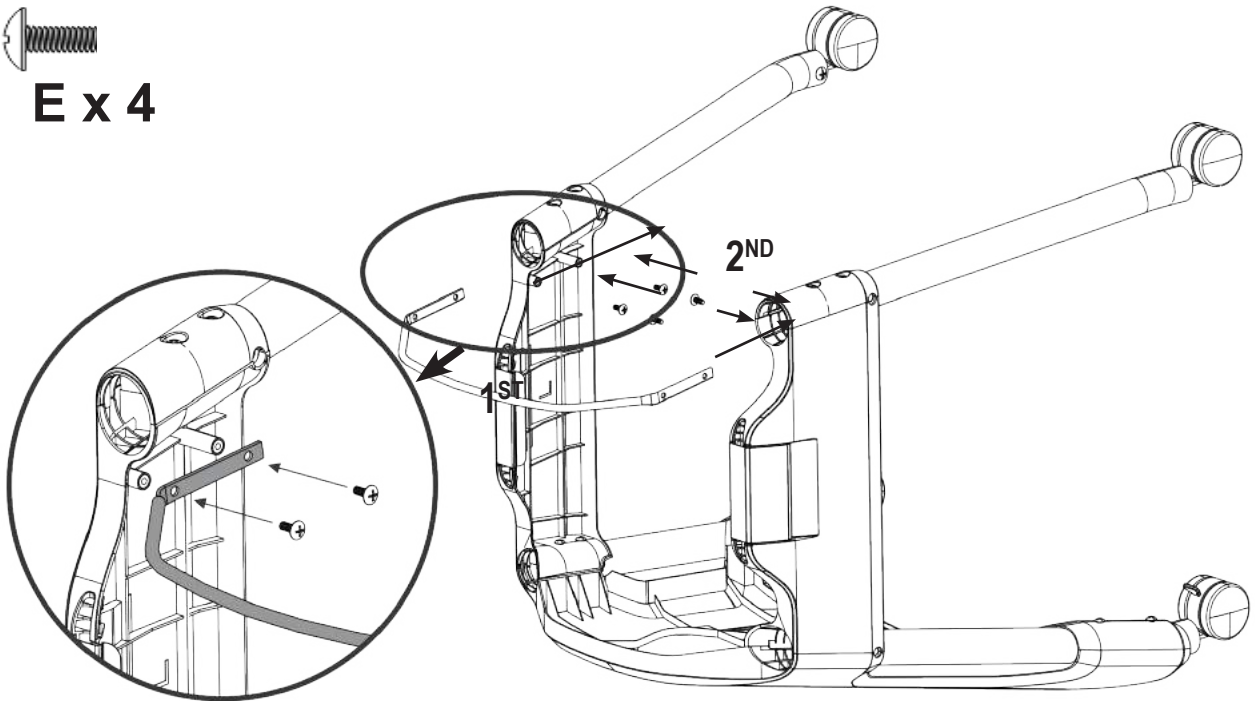


ASSEMBLY - MONTAGE

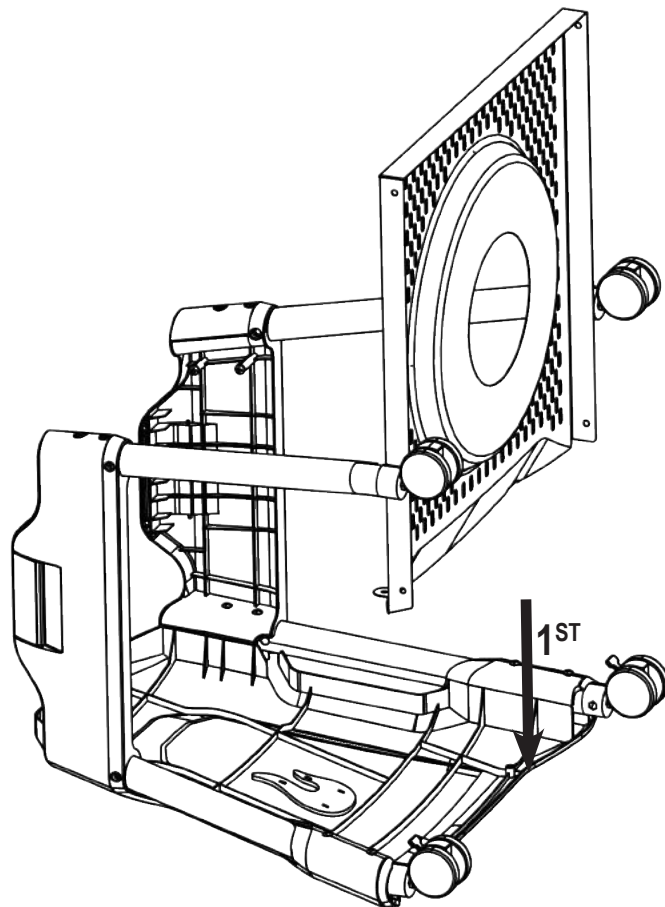
3



E x 4

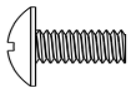


4



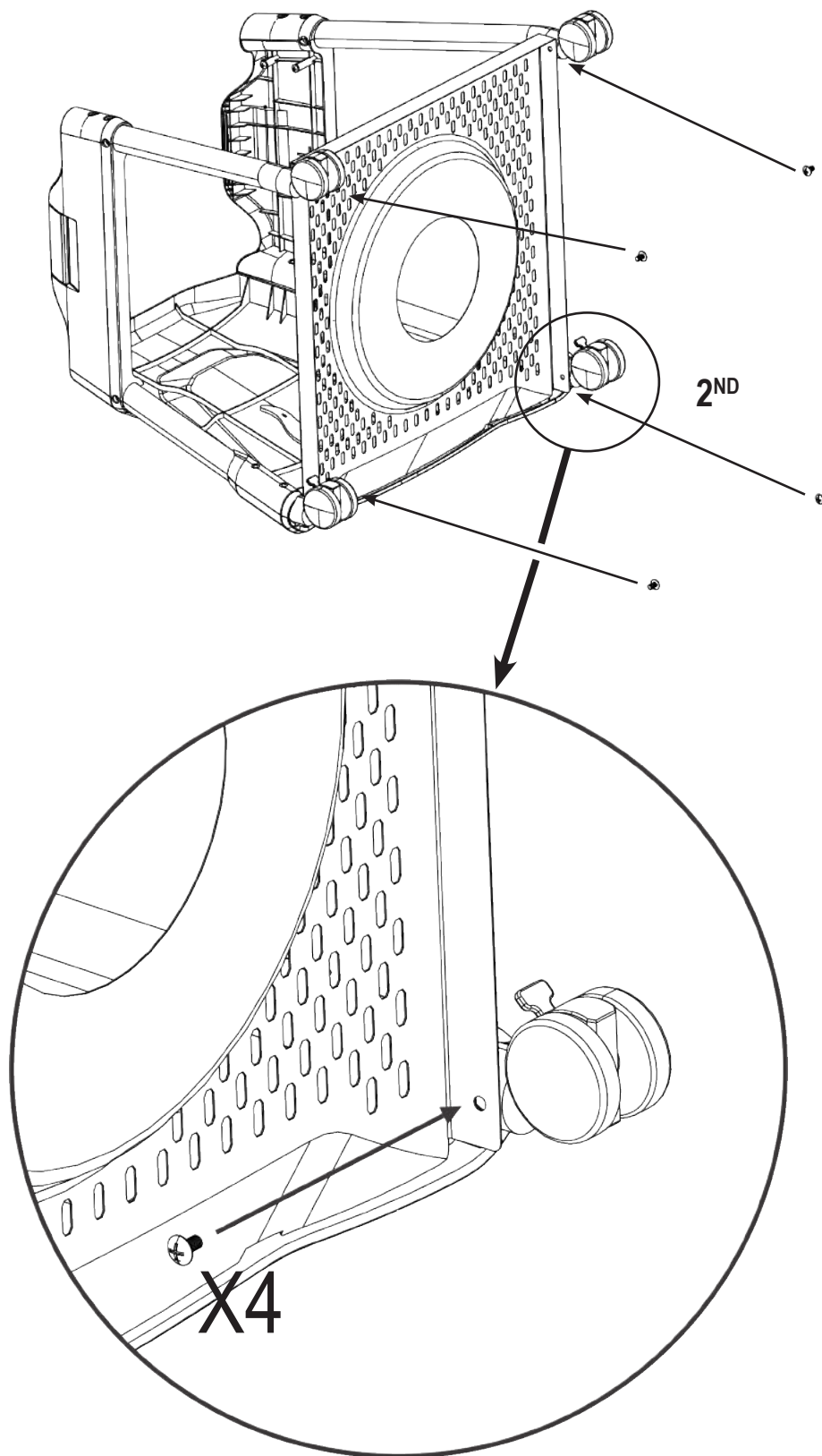
ASSEMBLY - MONTAGE

5



B x 4

NOTE: DO NOT tighten screw B
HINWEIS: Schraube B NICHT festziehen
REMARQUE: NE PAS serrer la vis B
BEMÆRK: Stram ikke skruen B
POZNÁMKA: Šroub B NEPOTŘEBUJTE
POZNÁMKA: Skrutku B NIKDY neutiahnite
MERK: Ikke stram skruen B
OPMERKING: Draai schroef B NIET vast
NOTA: NON serrare la vite B
ΣΗΜΕΙΩΣΗ: ΜΗΝ σφίξετε τη βίδα B
NOTA: NÃO aperte o parafuso B
NOTA: NO apriete el tornillo B
NOTĂ: NU strângeți șurubul B
ЗАБЕЛЕЖКА: НЕ затягайте винта B
MEGJEGYZÉS: NE húzza meg a B csavart
מיגרבה תא קדהל ניא הרעה
ATHUGIÐ: Trekið ekki skúfu B
OBS: Dra inte åt skriven B
HUOMAUTUS: ÄLÄ kiristä ruuvia B



ASSEMBLY - MONTAGE

6



E x 2

NOTE: Tighten all screws, B and E.

HINWEIS: Ziehen Sie alle Schrauben B und E an.

REMARQUE: Serrez toutes les vis B et E.

BEMÆRK: Stram alle skruer, B og E.

POZNÁMKA: Utáhněte všechny šrouby B a E.

POZNÁMKA: Utiahnite všetky skrutky B a E.

MERK: Trekk alle skruene, B og E.

OPMERKING: Draai alle schroeven vast, B en E.

NOTA: stringere tutte le viti, B ed E.

ΣΗΜΕΙΩΣΗ: Σφίξτε όλες τις βίδες, B και E.

NOTA: Aperte todos os parafusos B e E.

NOTA: Apriete todos los tornillos, B y E.

NOTĂ: Strângeți toate șuruburile, B și E.

ЗАБЕЛЕЖКА: Затягнете всички винтове, B и E.

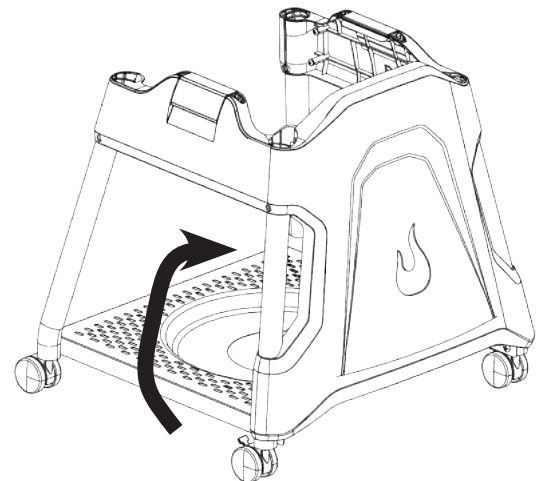
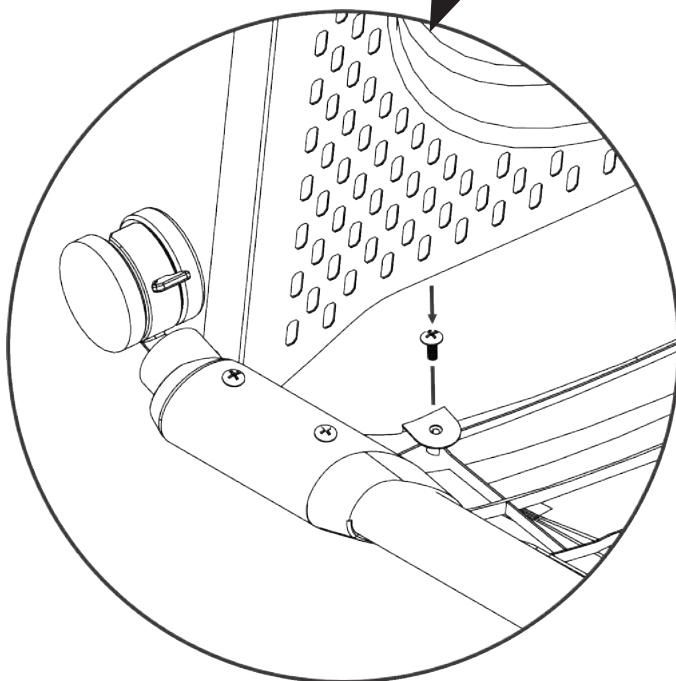
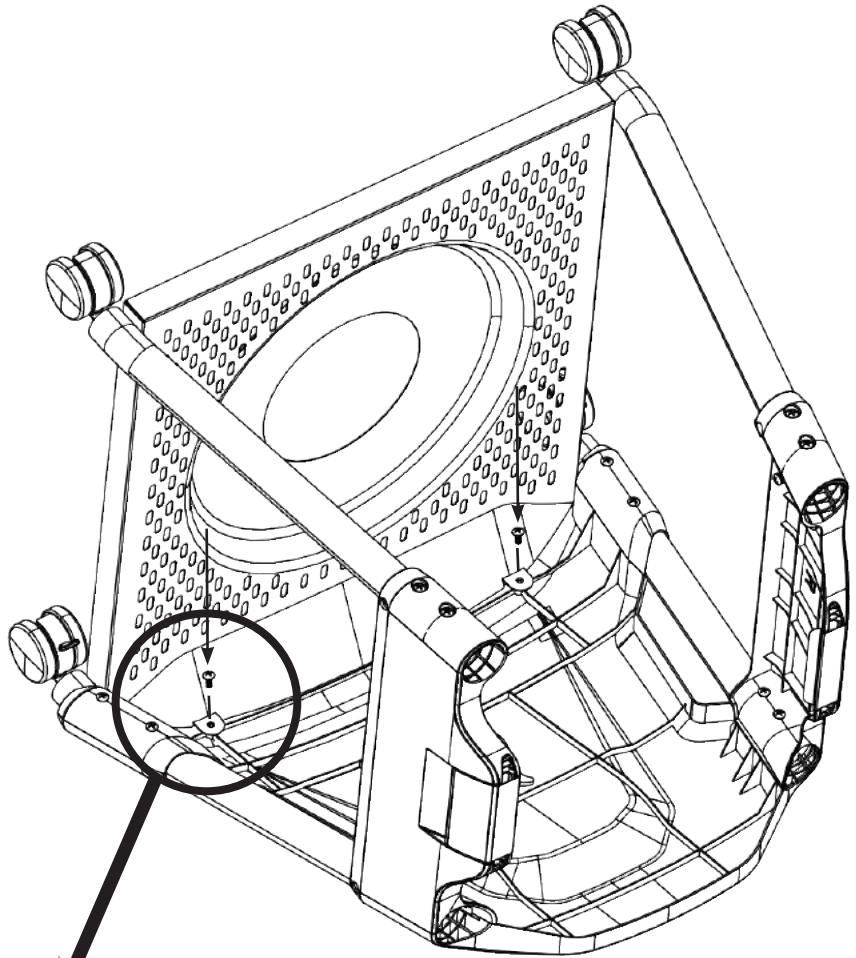
MEGJEGYZÉS: Húzza meg az összes csavart, B és E.

הרעה: מיגרבה לכ תא קדה, B ו- E.

ATHUGIÐ: Festu allar skrúfur, B og E.

OBS: Dra åt alla skruvar, B och E.

HUOMAUTUS: Kiristä kaikki ruuvit, B ja E.



ASSEMBLY - MONTAGE

7



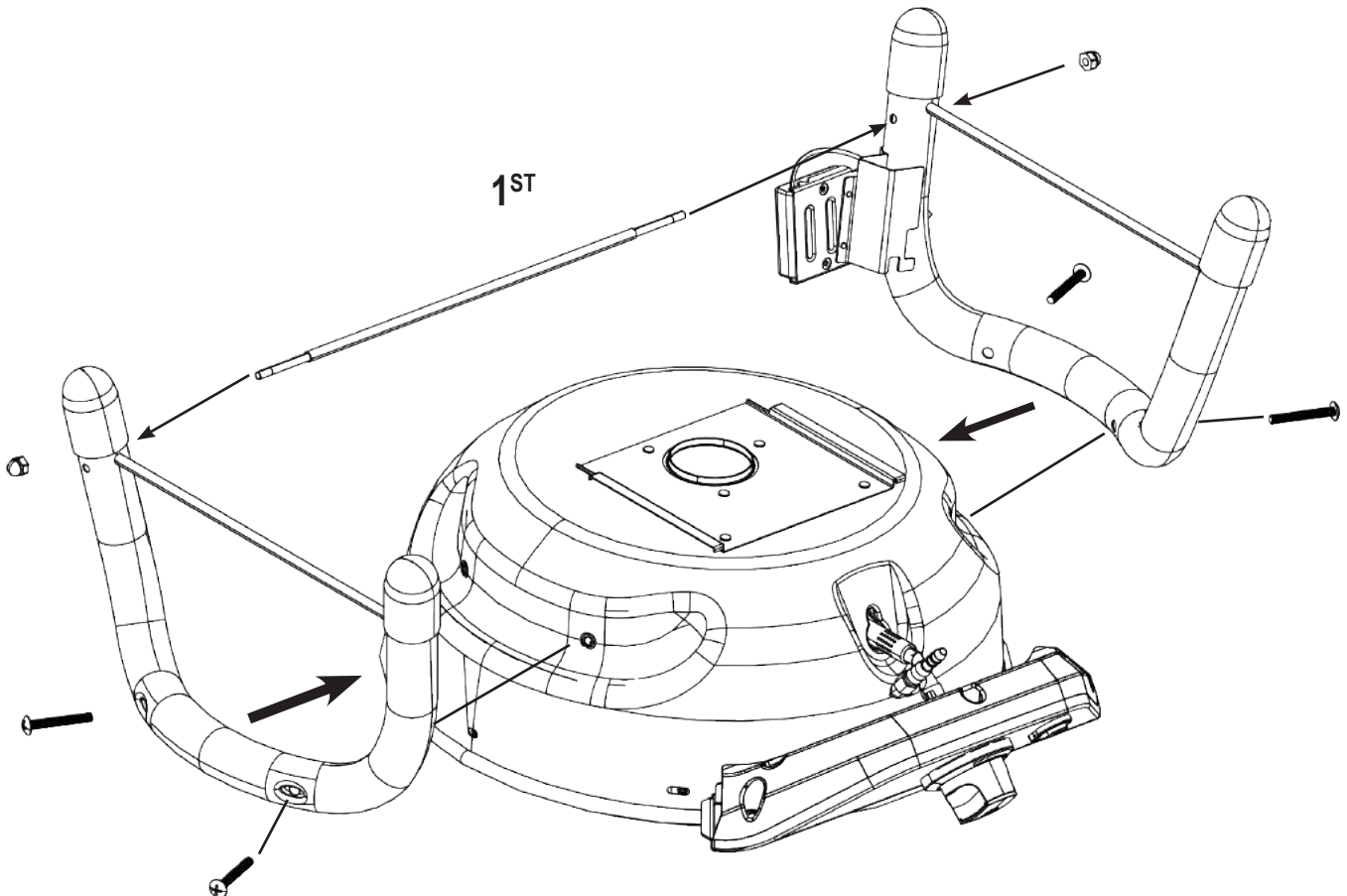
M x 2



A x 4

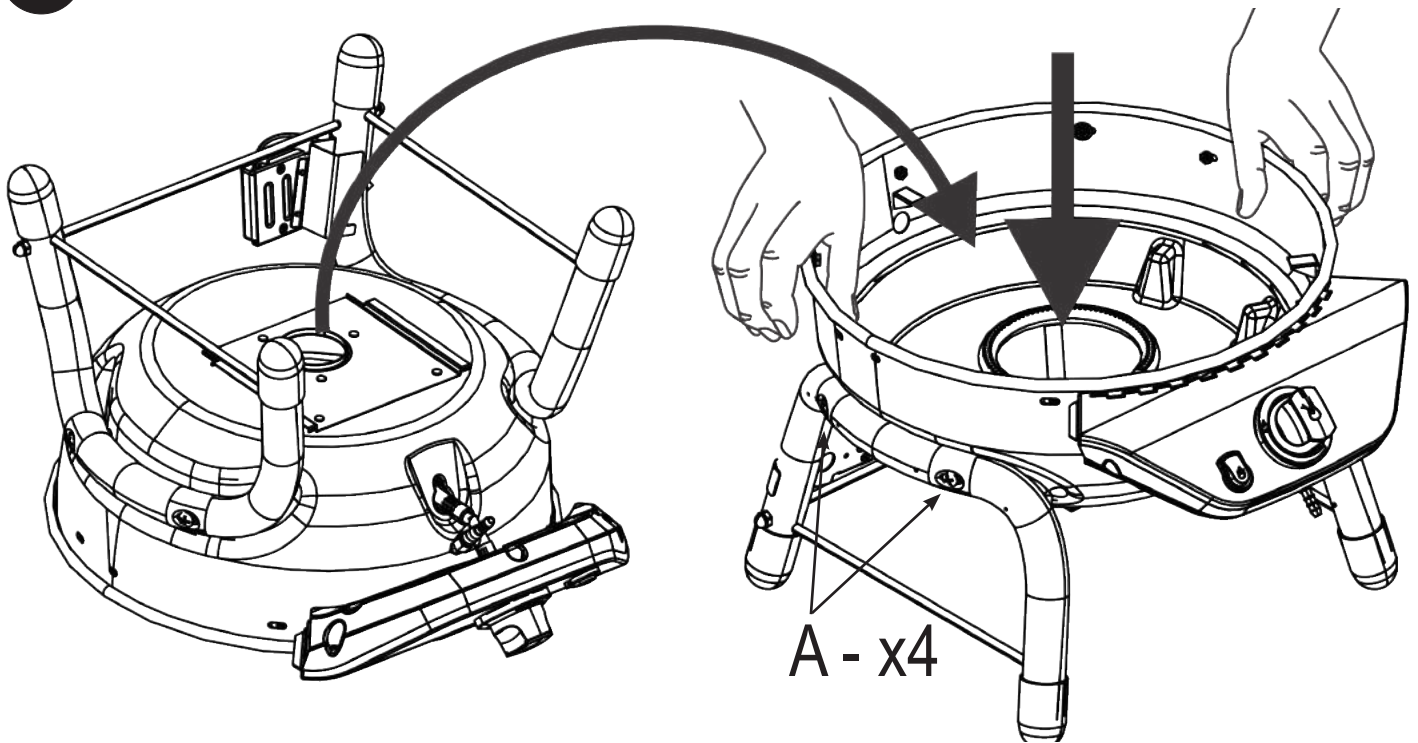
NOTE: DO NOT tighten screw A and nut M.
HINWEIS: Schraube A und Mutter M NICHT festziehen.
REMARQUE: NE PAS serrer la vis A et l'écrou M.
BEMÆRK: Stram ikke skrue A og møtrik M.
POZNÁMKA: Šroub A a matici M NEMONTUJTE.
POZNÁMKA: Skrutku A a maticu M NEPOTLAČTE.
MERK: Ikke stram skruen A og mutter M.
OPMERKING: Draai schroef A en moer M NIET vast.
NOTA: NON stringere la vite A e il dado M.
ΣΗΜΕΙΩΣΗ: ΜΗΝ σφίξετε τη βίδα A και το περικόχλιο M.
NOTA: NÃO aperte o parafuso A e a porca M.
NOTA: NO apriete el tornillo A y la tuerca M.

NOTĂ: NU strângeți șurubul A și piulița M.
ЗАБЕЛЕЖКА: НЕ затягайте винта А и гайката М.
MEGJEGYZÉS: NE húzza meg az A csavart és az M anyát.
ותרתוכש סוגאלו A ותרתוכש גרובה תא קדהל ויא הרעה
ATHUGIÐ: EKKI herða skrúfuna sem merktur er A og hnetu merktur M.
OBS: Dra inte åt skruven märkt A och mutter märkt M.
HUOMAUTUS: ÄLÄ kiristä ruuvia, joka on merkitty A- ja mutterilla, merkitty M.



ASSEMBLY - MONTAGE

8



NOTE: Place on a flat level surface and tighten screw A to insure grill is level.

HINWEIS: Stellen Sie das Gerät auf eine ebene Fläche und ziehen Sie die Schraube A fest, um sicherzustellen, dass der Grill eben ist.

REMARQUE: Placez-le sur une surface plane et serrez la vis A pour vous assurer que le grill est de niveau..

BEMÆRK: Placer på en plan overflade og stram skruen A for at sikre, at grillen er i niveau.

POZNÁMKA: Umístěte na rovnou plochu a utáhněte šroub A, aby bylo zajištěno, že je grill v rovině.

POZNÁMKA: Umiestnite na rovný rovný povrch a utiahnite skrutku A, aby ste sa uistili, že grill je v rovine.

MERK: Plasser på en plan overflate og stram skruen A for å sikre at grillen er på nivå.

OPMERKING: Plaats op een vlak oppervlak en draai schroef A vast om te verzekeren dat de grill waterpas staat.

NOTA: Posizionare su una superficie piana e stringere la vite A per assicurarsi che la griglia sia orizzontale.

ΣΗΜΕΙΩΣΗ: Τοποθετήστε σε επίπεδη επιφάνεια και σφίξτε τη βίδα A για να βεβαιωθείτε ότι η σχάρα είναι επίπεδη.

NOTA: Coloque em uma superfície plana e aperte o parafuso A para garantir que a grade esteja nivelada.

NOTA: Coloque sobre una superficie plana y nivelada y apriete el tornillo A para asegurarse de que la parrilla esté nivelada.

NOTĂ: Așezați-o pe o suprafață plană și strângeți șurubul A pentru a vă asigura că grila este în poziție verticală.

ЗАБЕЛЕЖКА: Поставете върху равна повърхност и затегнете винта A, за да осигурите нивото на решетката.

MEGJEGYZÉS: Helyezzen egy sík felületre és húzza meg az A csavart, hogy biztosítsa a grill szintjét.

המרב אוה ליגר חיטבהל ידכ א גרובה תא קדהל חוטש חוטש חוטש לע מוקמ

ATHUGIÐ: Setjið á flatt borð yfirborð og herðið sknúfu A til að tryggja að grillið sé jafnt.

OBS: Placera på en plan yta och dra åt skruven A för att försäkra att grillen är jämn.

HUOMAUTUS: Aseta tasaiselle alustalle ja kiristä ruuvi A, jotta grilli on tasainen.

ASSEMBLY - MONTAGE

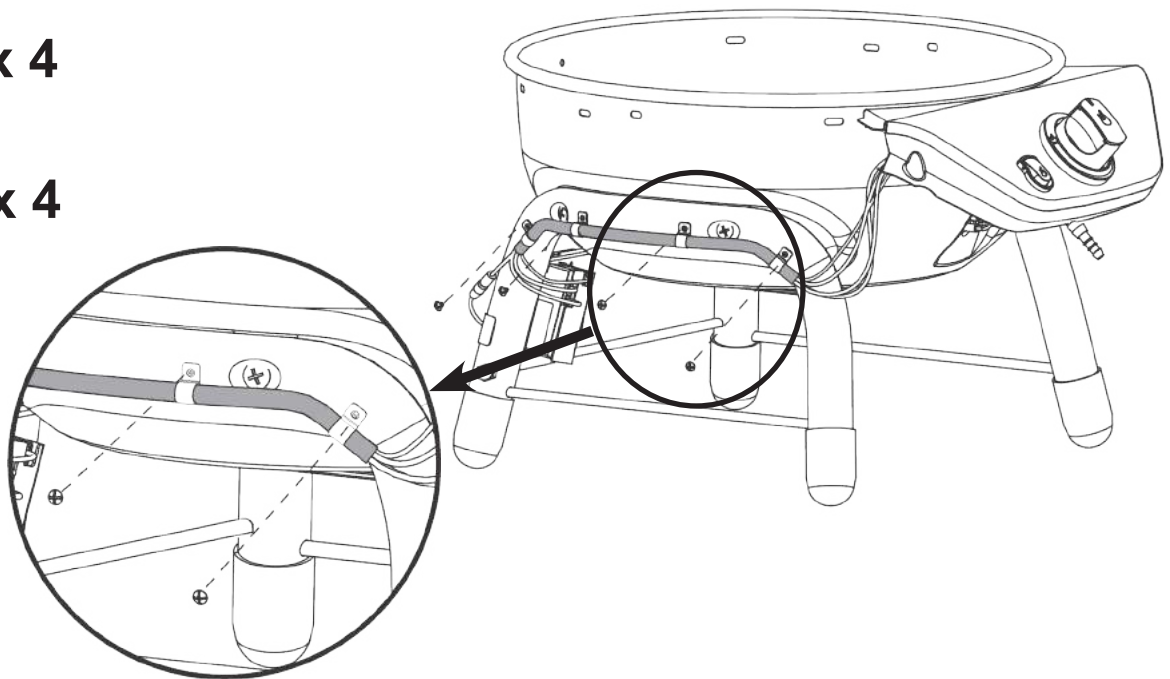
9



K x 4



G x 4



10



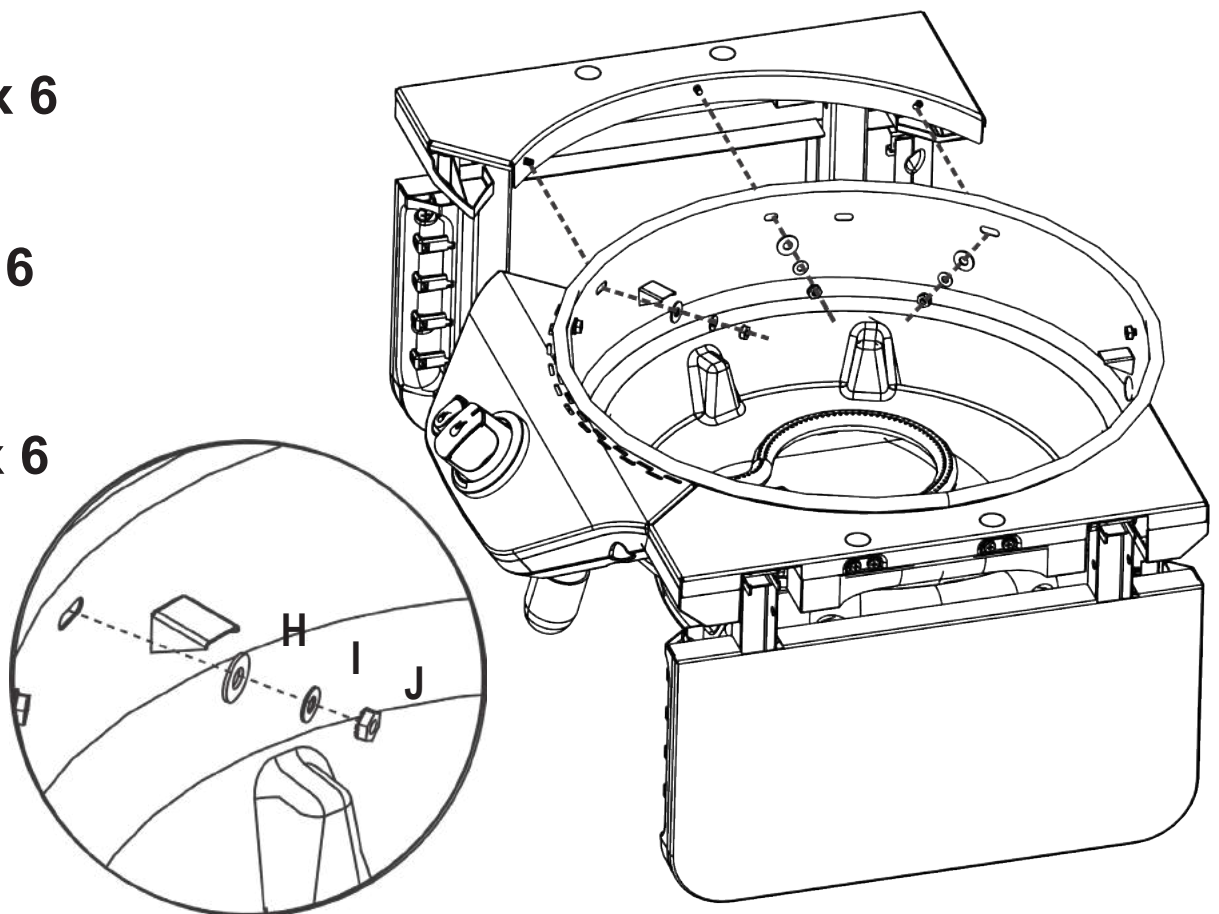
H x 6



I x 6



J x 6



ASSEMBLY - MONTAGE

11



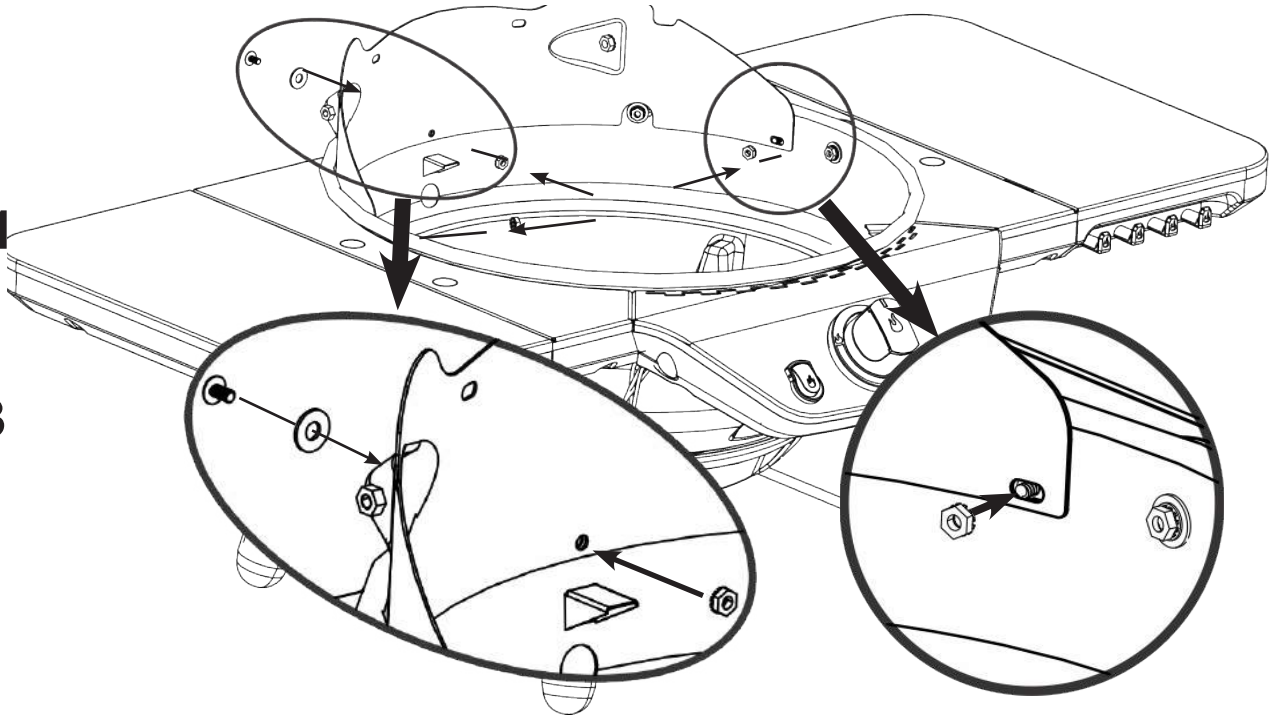
H x 1



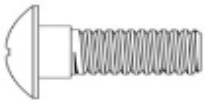
J x 3



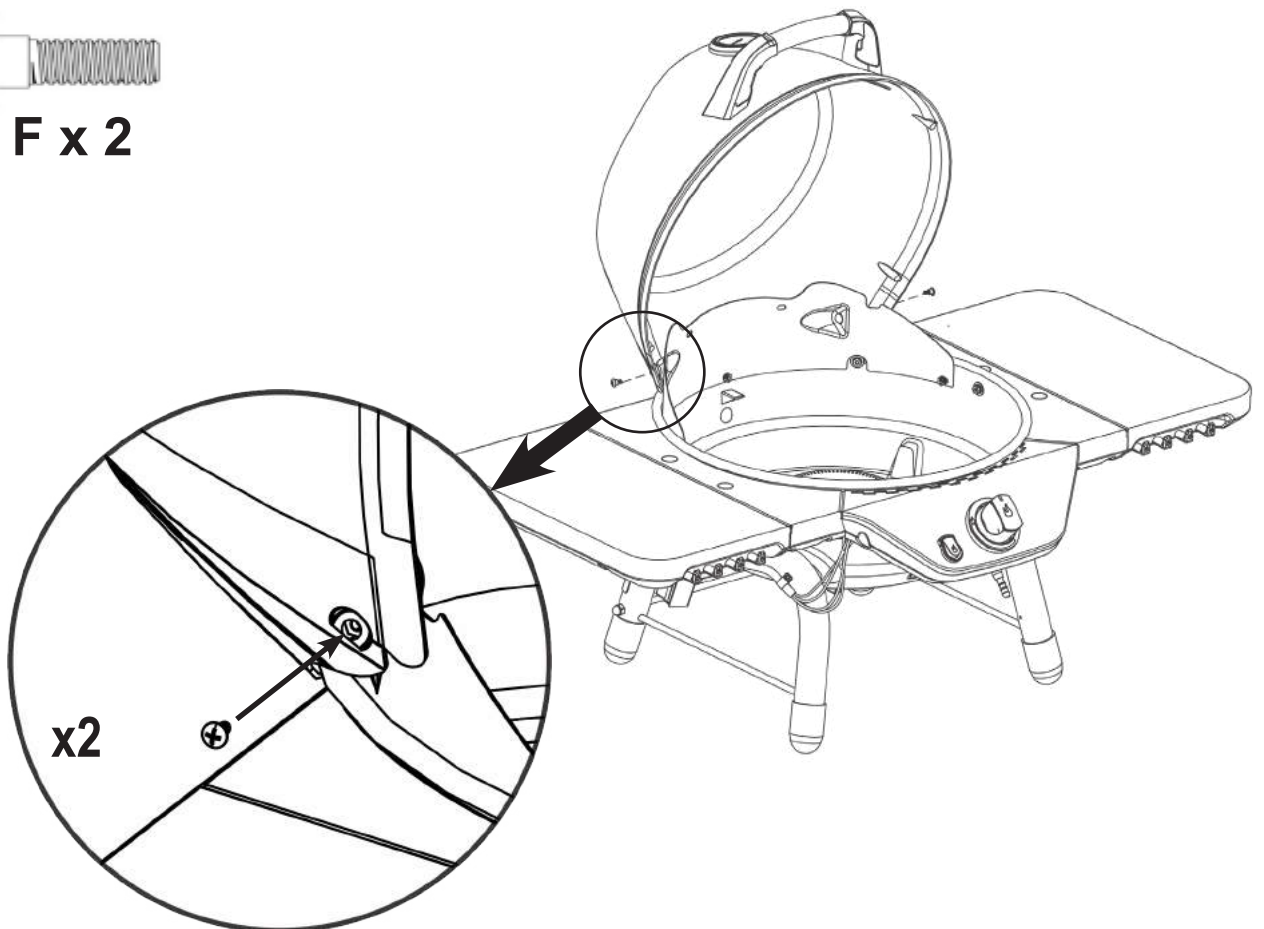
E x 1



12

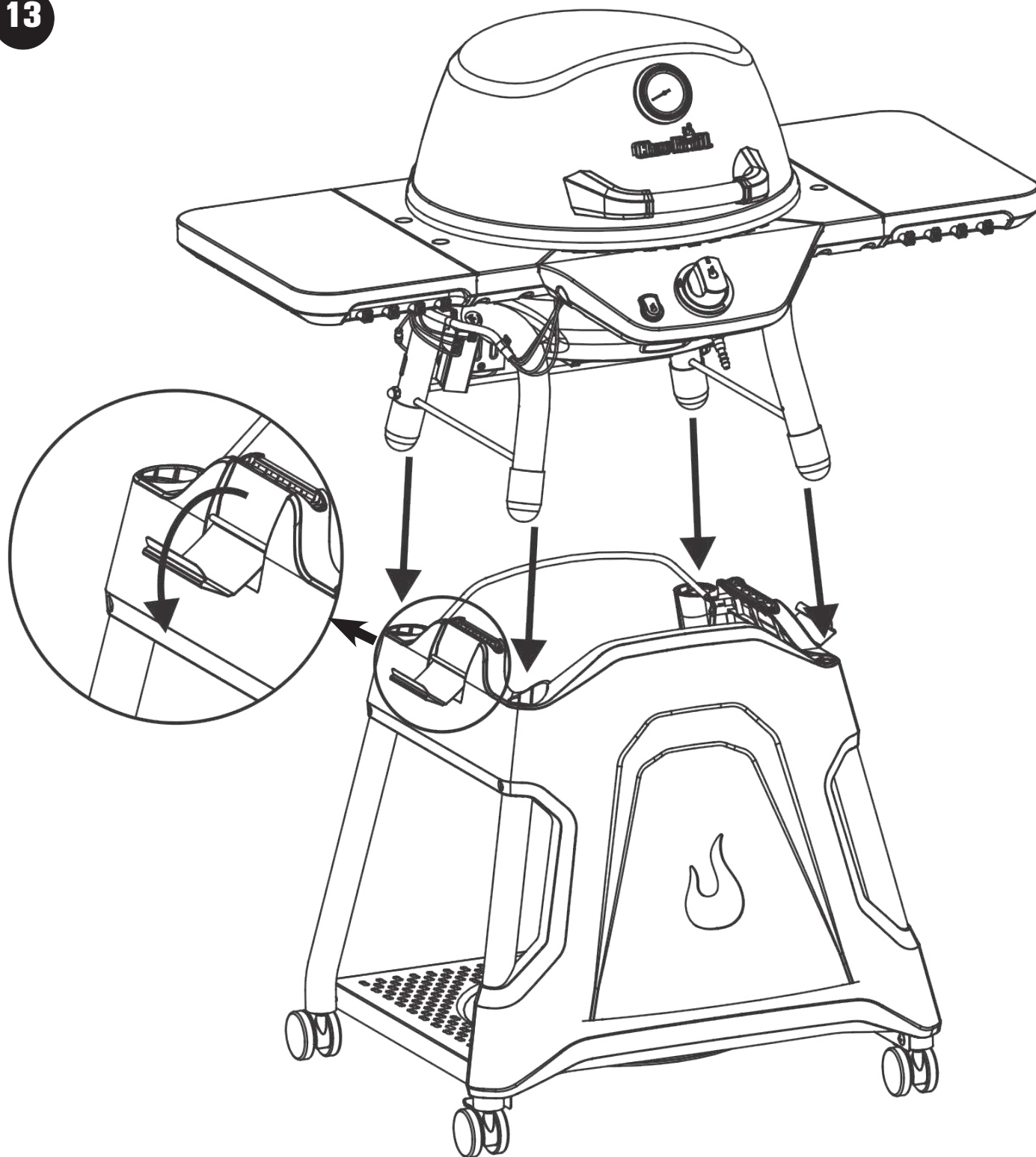


F x 2



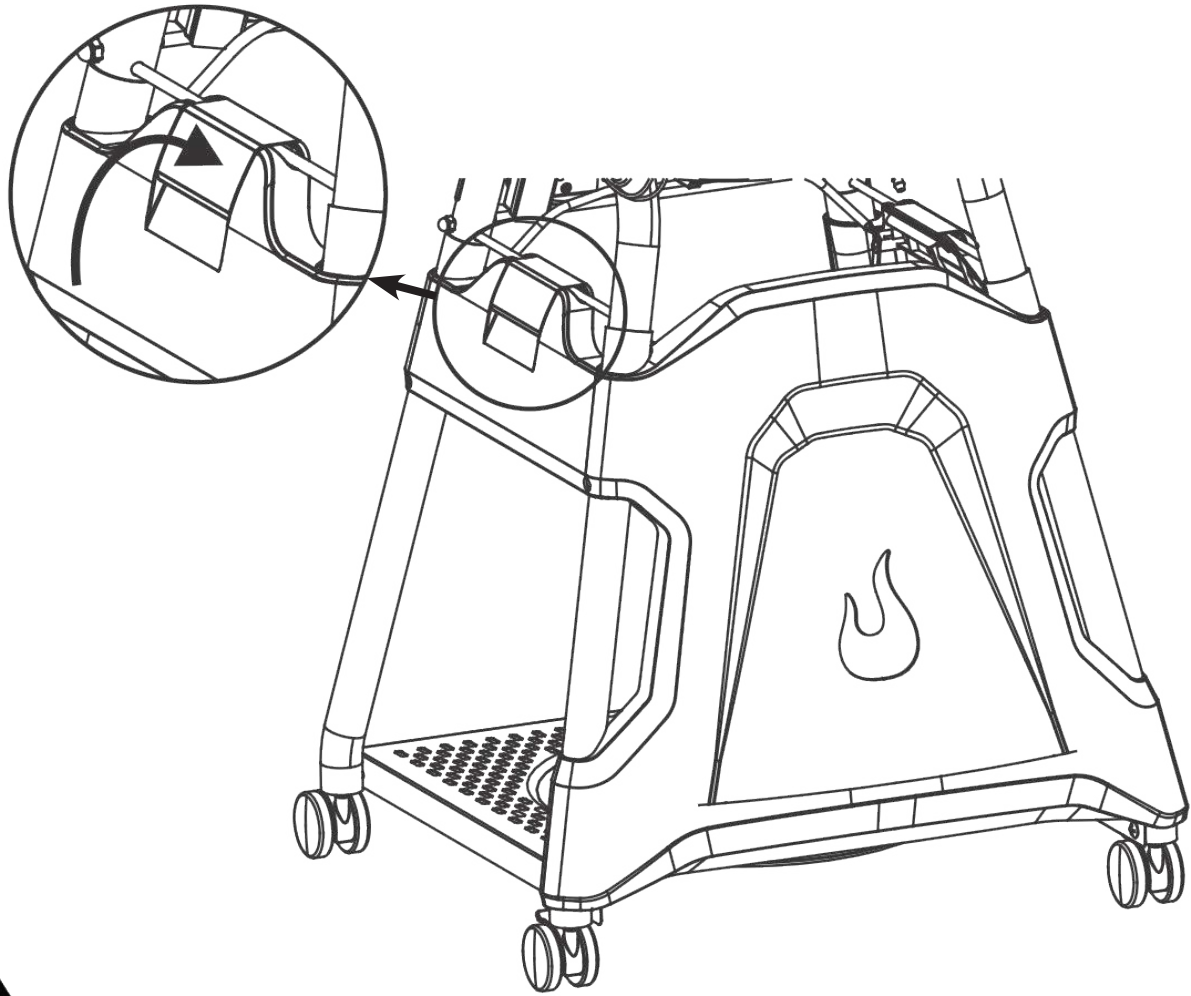
ASSEMBLY - MONTAGE

13



ASSEMBLY - MONTAGE

14



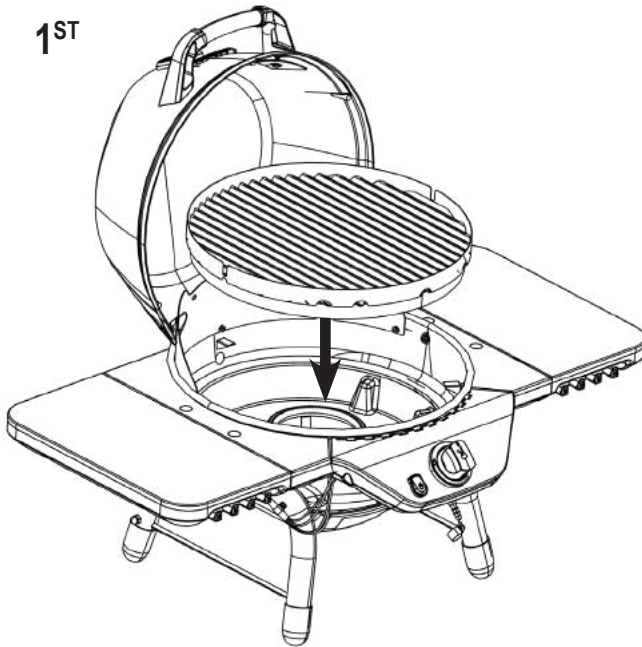
NOTE: Grill must always be locked when using the cart.
HINWEIS: Bei Verwendung des Wagens muss der Grill immer verriegelt sein.
REMARQUE: le gril doit toujours être verrouillé lors de l'utilisation du chariot.
BEMÆRK: Grill skal altid være låst, når du bruger vognen.
POZNÁMKA: Při používání vozíku musí být gril vždy uzamčen.
POZNÁMKA: Gril musí být při použití vozíka vždy uzamknutý.
MERK: Grillen må alltid være låst når du bruker vognen.
OPMERKING: Grill moet altijd worden vergrendeld wanneer u de wagen gebruikt.
NOTA: la griglia deve essere sempre bloccata quando si utilizza il carrello.
ΣΗΜΕΙΩΣΗ: Το Grill πρέπει πάντα να κλειδώνεται κατά τη χρήση του καροτσιού.

NOTA: Grill sempre deve ser bloqueado ao usar o carrinho.
NOTA: La parrilla siempre debe estar bloqueada al usar el carrito.
NOTĂ: Grillul trebuie să fie întotdeauna blocat când se utilizează căruciorul.
ЗАБЕЛЕЖКА: Решетката трябва винаги да се заключва при използване на количката.
MEGJEGYZÉS: A kosár használatakor a grill mindig zárva legyen.
הלגעב שומיש תעב לוענ דימת תויהל בייח לירג הרעה.
ATH: Grillið verður alltaf að vera læst þegar ökutækið er notað.
OBS! Grillen måste alltid vara låst när du använder vagnen.
HUOMAUTUS: Grilli on aina lukittava, kun käytät koria.

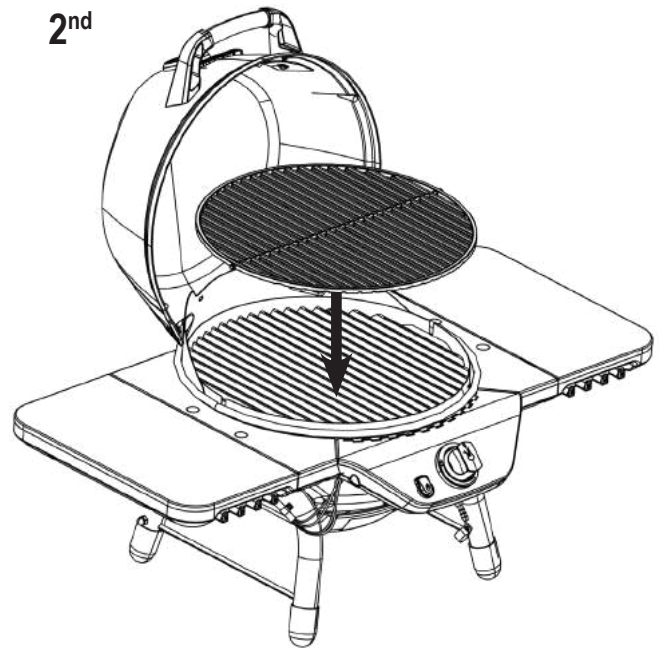
ASSEMBLY - MONTAGE

15

1ST



2nd



• The Cooking Grate is heavy. Do not drop the Cooking Grate in the firebowl during assembly or after cleaning and reinstalling. Damage to the cooking system may occur.

• Der Grillrost ist schwer. Lassen Sie den Grillrost nicht während der Montage oder nach dem Reinigen und Wiedereinbau in die Feuer-Schüssel fallen. Das Kochsystem kann beschädigt werden.

• La grille de cuisson est lourde. Ne laissez pas tomber la grille de cuisson dans le foyer pendant l'assemblage ou après le nettoyage et la réinstallation. Le système de cuisson peut être endommagé.

• Kogepladen er tung. Lad ikke madlavningsgitteret falde i ildkassen under montage eller efter rengøring og geninstallation. Skader på kogesystemet kan forekomme.

• Varný rošt je těžký. Během montáže nebo po čištění a opětovné instalaci neuvolněte rošt na vaření do ohniště. Mohlo by dojít k poškození varného systému.

• Varný rošt je ťažký. Počas montáže alebo po čistení a opätovnej inštalácii nenechávajte rošt na varenie v ohnisku. Môže dôjsť k poškodeniu varného systému.

• Matlagingsgitteret er tungt. Ikke slipp matlagingsristen i peisboksen under montering eller etter rengjøring og installasjon. Skader på kokesystemet kan oppstå.

• Het kookrooster is zwaar. Laat het kookrooster niet vallen in de vuurbak tijdens de montage of na het schoonmaken en opnieuw installeren. Er kan schade aan het kookstelsysteem optreden.

• La griglia di cottura è pesante. Non lasciare cadere la griglia di cottura nel fuoco durante il montaggio o dopo la pulizia e la reinstallazione. Potrebbero verificarsi danni al sistema di cottura.

• Η σχάρα ψησίματος είναι βαρύ. Μην ρίχνετε τη σχάρα ψησίματος στον πυγμή κατά τη συναρμολόγηση ή μετά τον

καθαρισμό και την επανεγκατάσταση. Μπορεί να προκληθεί ζημιά στο σύστημα μαγειρέματος.

• A grelha de cozedura é pesada. Não deixe cair a grelha de cozedura no fogão durante a montagem ou após a limpeza e reinstalação. Danos ao sistema de cozimento podem ocorrer.

• La parrilla de cocción es pesada. No deje caer la rejilla de cocción en el arco de fuego durante el montaje o después de limpiar y reinstalar. Se puede dañar el sistema de cocción.

• Râul de gătit este greu. Nu lăsați grătarul de gătit în arcul în timpul montării sau după curățare și reinstalare. Este posibil să se deterioreze sistemul de gătit.

• Решетката за готвене е тежка. Не изпускайте решетката за готвене в огнището по време на монтаж или след почистване и повторно инсталиране. Възможно е да се повреди системата за готвене.

• A főzőrács nehéz. Ne szerelje össze a főzőrácsot a tűzhelyen a szerelés vagy a tisztítás és az újratelepítés után. Előfordulhat, hogy a főzőrendszer sérül.

• רותב שאה לע גרוסה תא רילשהל ויא. דבכ לשיב ריסה קזן. שדחמ הנקתהו יוקיני רחאל וא הבכרהה רלהמב הללכמה שחרתהל לולע לשיבה תכרעמל.

• Eldunarhúðinn er þungur. Sleppið ekki eldunarhellinum í eldavélinni meðan á samsetningu stendur eða eftir að hreinsið er og komið fyrir aftur. Skemmdir á eldunarbúnaðinn geta komið fram.

• Matlagret är tungt. Släpp inte matlagingsristen i eldstaden under montering eller efter rengöring och ominstallation. Skador på matlagningssystemet kan uppstå.

• Ruoan arina on raskas. Älä pudota keittolevyä tulipesään asennuksen tai puhdistuksen ja uudelleenasetuksen jälkeen. Kypsennysjärjestelmän vaurioituminen voi ilmetä.

ASSEMBLY - MONTAGE

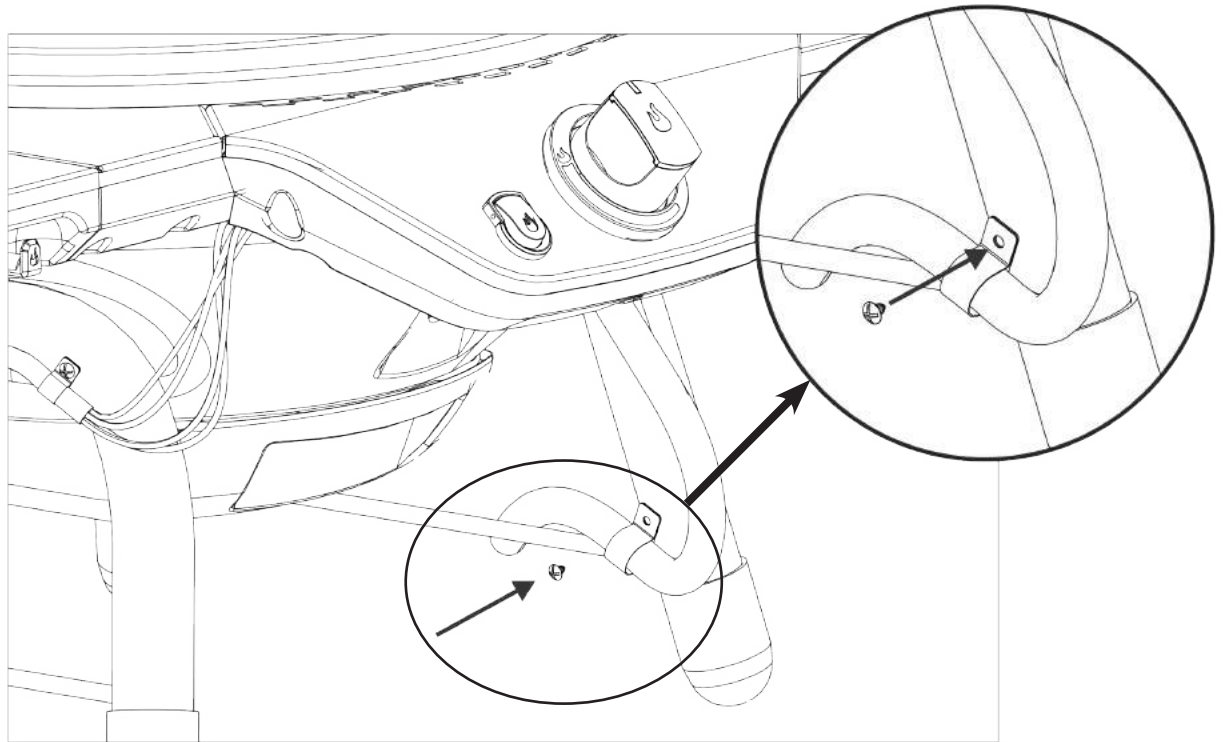
16



L x 1



G x 1



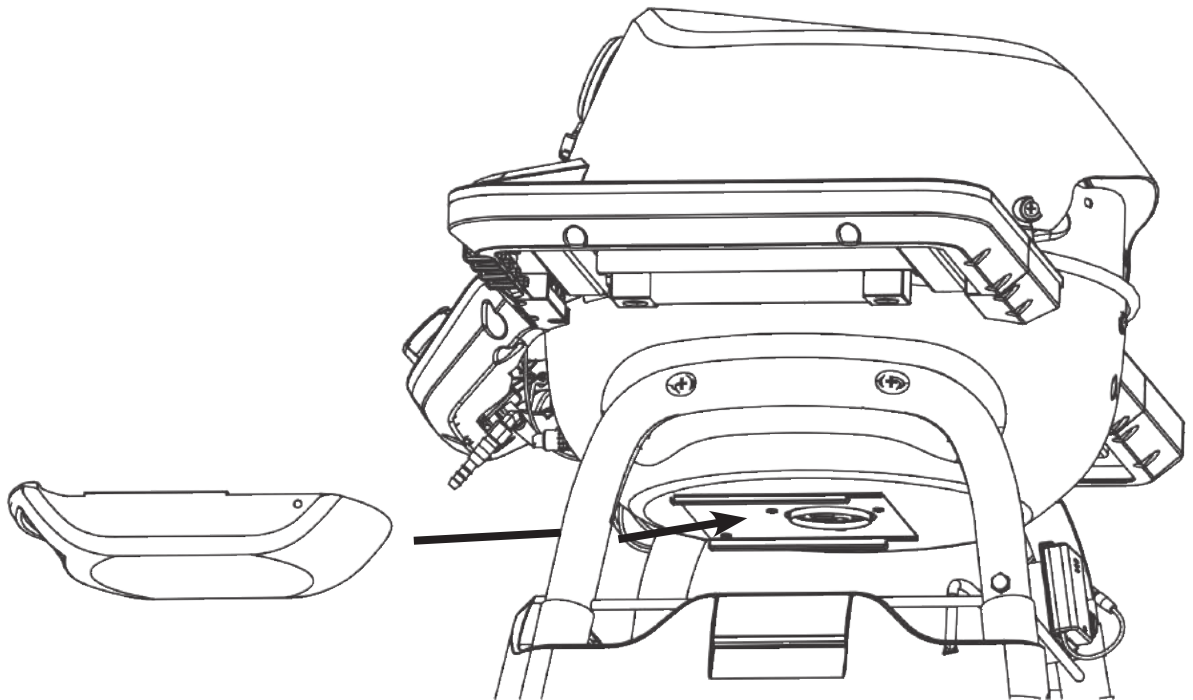
- Part L must always be used to prevent damage to the gas hose.
- Teil L muss immer verwendet werden, um Schäden am Gasschlauch zu vermeiden.
- La partie L doit toujours être utilisée pour éviter d'endommager le tuyau de gaz.
- Del L skal alltid bruges til at forhindre skade på gasslangen.
- Aby nedošlo k poškození plynové hadice, musí být vždy použita část L.
- Aby sa zabránilo poškodeniu plynovej hadice, musí sa vždy použiť časť L.
- Del L må alltid brukes til å forhindre skade på gasslangen.
- Deel L moet altijd worden gebruikt om schade aan de gaslang te voorkomen.
- La parte L deve essere sempre utilizzata per evitare danni al tubo del gas.
- Το μέρος L πρέπει πάντα να χρησιμοποιείται για την αποφυγή

βλάβης στον εύκαμπο σωλήνα αερίου.

- A parte L deve ser sempre usada para evitar danos na mangueira de gás.
- La Parte L debe usarse siempre para evitar daños en la manguera de gas.
- Partea L trebuie utilizată întotdeauna pentru a preveni deteriorarea furtunului de gaz.
- Часть L трябва винаги да се използва, за да се предотврати повреда на маркуча за газ.
- Az L rész mindig a gáztömlő károsodásának megelőzésére kell használni.
- גגה רוניצל קזן עונמל ידכ L קלחב דימת שמתשהל שי
- Nota skal hluti L alltaf til að koma í veg fyrir skemmdir á gasslöngu.
- Del L måste alltid användas för att förhindra skador på gasslangen.
- Osa L on aina käytettävä kaasuletkun vahingoittumisen estämiseksi.

ASSEMBLY - MONTAGE

17

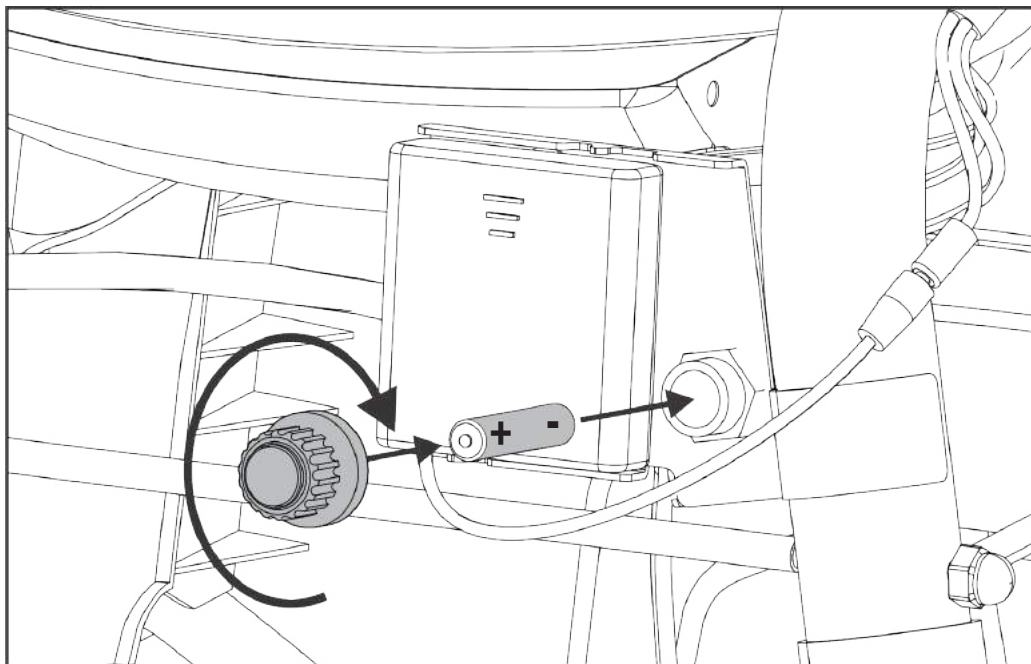


ASSEMBLY - MONTAGE

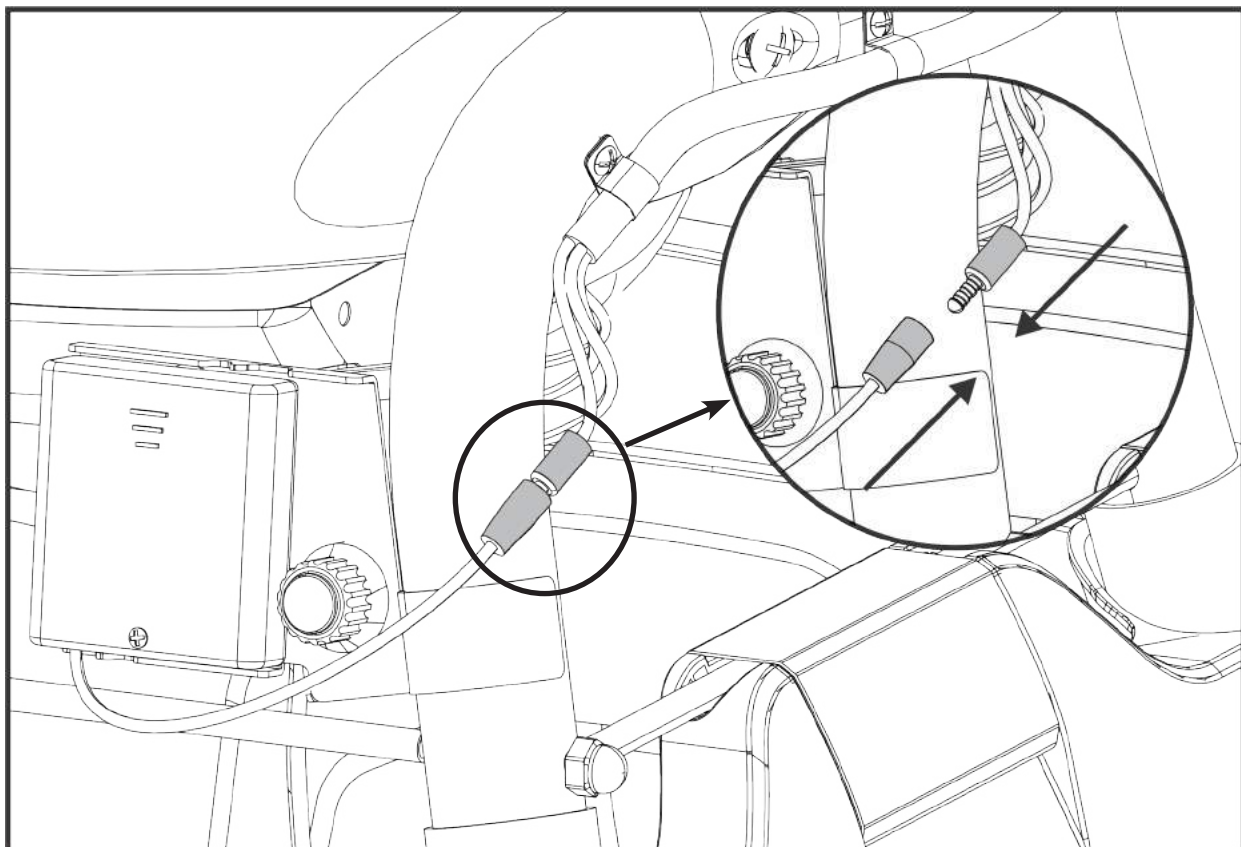
18



AAA Battery - Included
AAA-Batterie - enthalten
Pile AAA - incluse
AAA Batteri - Inkluderet
AAA baterie - zahrnutý
AAA batéria - súčasťou balenia
AAA batteri - inkludert
AAA-batterij - inbegrepen
Batteria AAA - Inclusa
Μπαταρία AAA - Συμπεριλαμβάνεται
Bateria AAA - Incluída
Baterie AAA - inclusă
AAA батерия - включена
AAA akkumulátor - mellékelve
ולולכ AAA - מלוכלך
AAA rafhlaða - innifalinn
AAA-batteri - ingår
AAA-akku - mukana



19



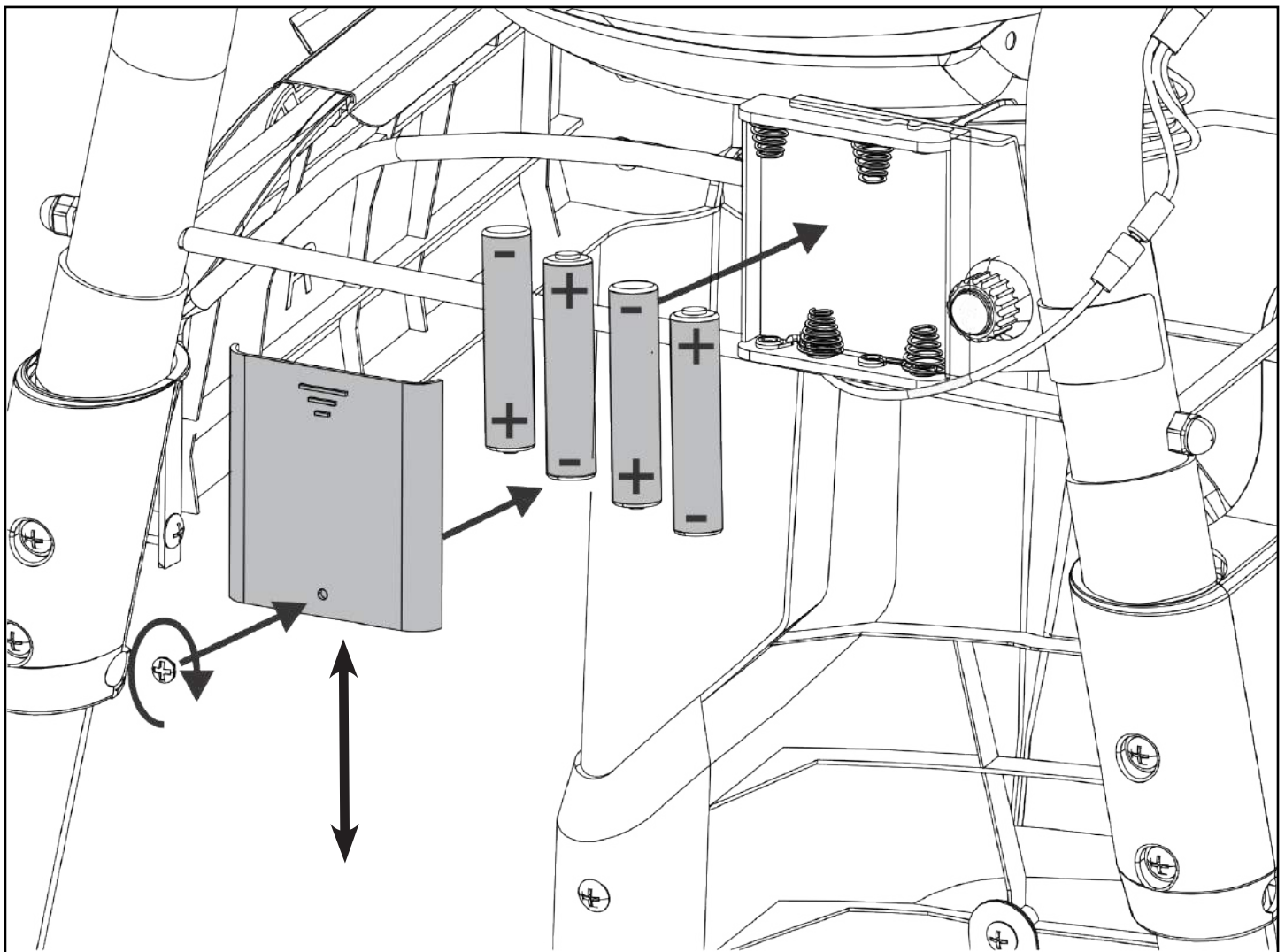
ASSEMBLY - MONTAGE

20



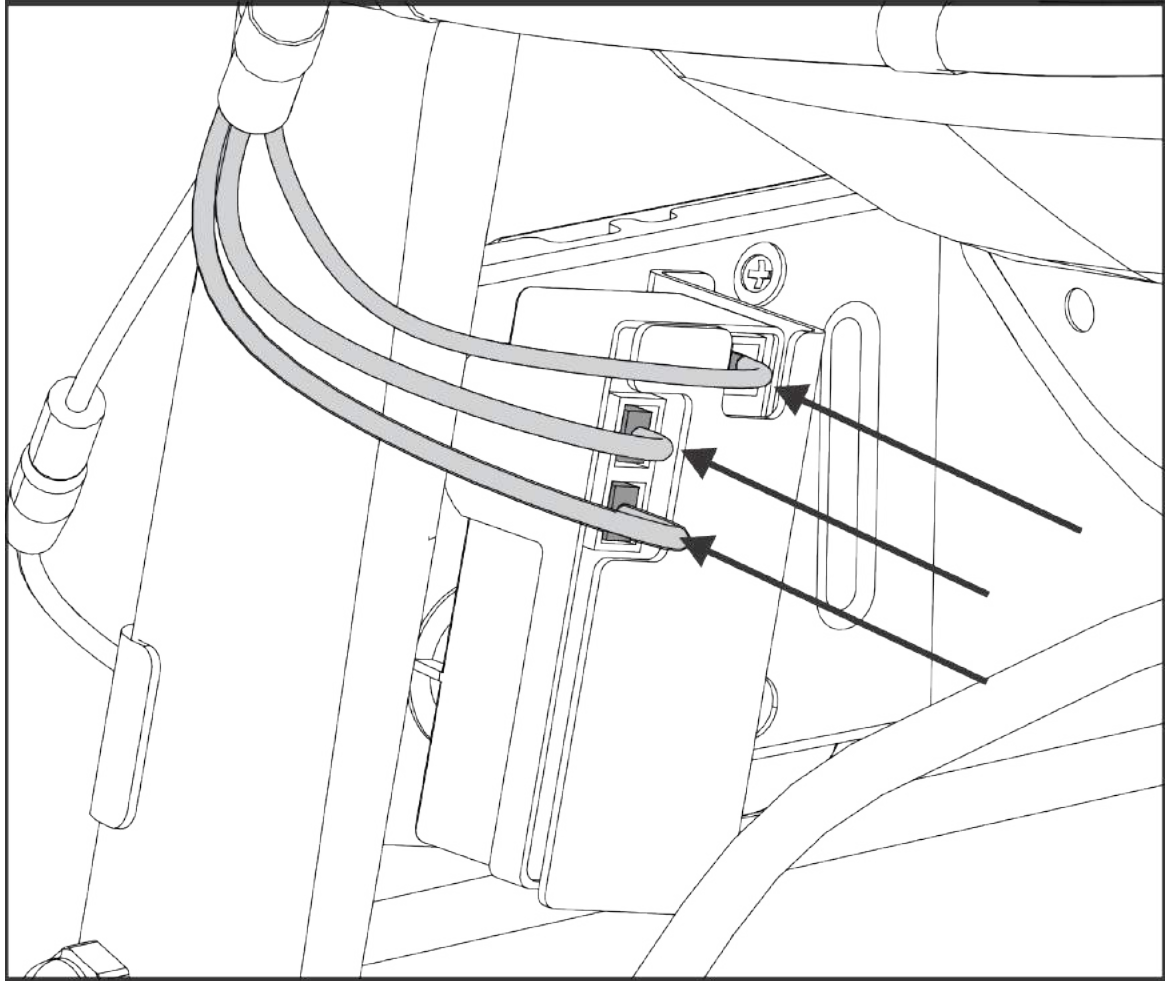
AA Battery - NOT Included
AA-Batterie - NICHT enthalten
Pile AA - NON incluse
AA batteri - IKKE inkludert
AA baterie - není součástí dodávky
AA batéria - nie je súčasťou dodávky
AA-batteri - IKKE inkludert
AA-batterij - NIET inbegrepen
Batteria AA - NON inclusa

Μπαταρία AA - Δεν περιλαμβάνεται
Bateria AA - Não Incluída
AA baterie - nu este inclus
Батерия AA - не е включена
AA akkumulátor - nincs benne
לולכ אל - AA הללוס
AA rafhlöður - ekki innifalið
AA Batteri - Ej inkluderat
AA-paristo - ei sisälly toimitukseen

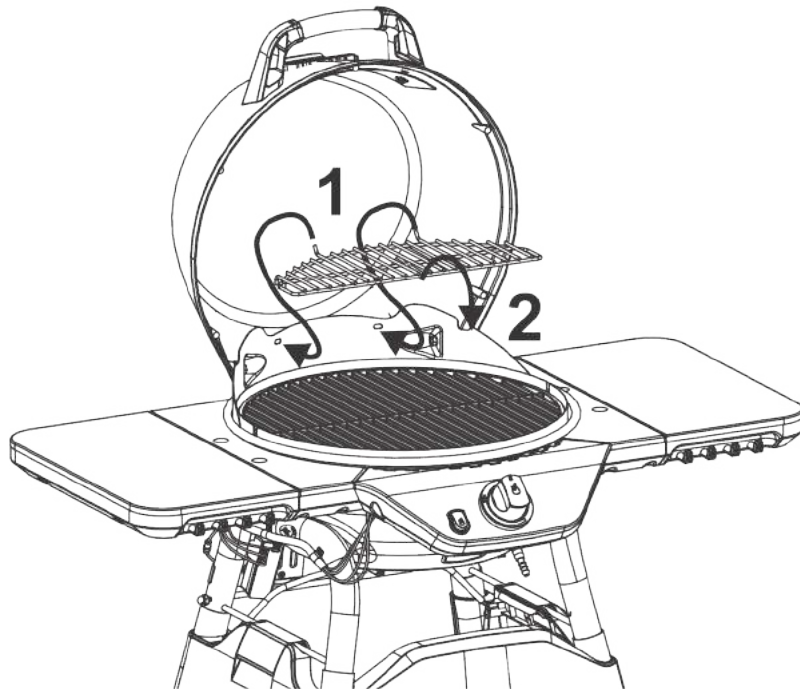


ASSEMBLY - MONTAGE

21



22



Warranty Statement

Char-Broil Europe GmbH of Paul-Dessau-Straße 8 Quartier O – 4.0G D-22761 Hamburg (Char-Broil) warrants to the PURCHASER of this Char-Broil product that it will be free of defects in material and workmanship from the date of purchase as follows:

	Charcoal Grills and Smokers
Burners	10 years
Cooking Grates/Emitters	3 years
All Other Parts (EURO minimum)	2 years

Char-Broil or the seller of the product may require reasonable proof of your date of purchase. **THEREFORE, YOU SHOULD RETAIN YOUR SALES RECEIPT OR INVOICE.**

[France only: All products sold by the Seller are covered by the legal warranties provided in Articles 1641 and followings of the Civil Code (warranty against hidden defects) and Articles L. 217-1 to L. 217-14 and L. 411-1 to L. 411-2 of the Consumer Code (warranty of conformity.)]

This Warranty includes the right of repair or replacement of the product or parts of the product that prove defective under normal use and service. Before returning any parts, you should promptly contact Char-Broil using the contact information on our website. In case of a defect, Char-Broil will elect to replace or repair the product or such parts without charge. Char-Broil will return the product or parts of the product to the purchaser, freight or postage prepaid. If Char-Broil elects to repair the product or such defective parts of the product and this repair fails, you are entitled, pursuant to your statutory legal rights, to reduce the purchase price or to withdraw from the contract and receive a refund.

This Warranty does not cover any failures or operating difficulties due to accident, abuse, misuse, alteration, misapplication, vandalism, improper installation or improper maintenance or service, or failure to perform normal and routine maintenance, including but not limited to damage caused by insects within the burner tubes, as set out in this owner's manual. Exceptions may apply, so please contact Char-Broil or your seller in case you have any questions on whether this Warranty applies to your specific case or not.

Deterioration or damage due to severe weather conditions such as hail, hurricanes, earthquakes or tornadoes, discoloration due to exposure to chemicals either directly or in the atmosphere, is not covered by this Warranty, and are not normally covered by your statutory legal rights.

Char-Broil is not liable for any unforeseeable losses (i.e. loss or damage that neither you nor Char-Broil or the seller contemplated at the time of purchase), or any damage caused by you, save for that Char-Broil's liability for fraud or death or personal injury caused by its negligence is not limited.

Char-Broil does not authorize any person or company to assume for it any other obligation or liability in connection with the sale, installation, use, removal, return, or replacement of its equipment; and no such representations are binding on Char-Broil.

This Warranty applies only to products sold at retail to individuals (as opposed to businesses) within the European Union.

This Warranty does not affect any of your statutory legal rights under the applicable consumer laws of your resident country.

For warranty service, contact Char-Broil at info-eu@charbroil.eu.

Déclaration de Garantie

Char-Broil Europe GmbH, sis à l'adresse Paul-Dessau-Straße 8 Quartier O – 4.0G D-22761 Hamburg (« Char-Broil »), garantit à l'ACHETEUR du présent produit Char-Broil que ce dernier sera exempt de tout défaut de matériel ou de fabrication à compter de la date de l'achat, comme suit :

	Grills au charbon de bois et fumeurs
Brûleurs	10 ans
Grilles de cuisson et émetteurs	3 ans
Toutes les autres pièces (minimum pour l'Europe)	2 ans

Il se peut que Char-Broil ou le vendeur du produit exige une preuve raisonnable de la date de votre achat. **PAR CONSÉQUENT, VOUS DEVRIEZ CONSERVER VOTRE REÇU OU VOTRE FACTURE.**

[France seulement : Tous les produits vendus par le vendeur sont couverts par les garanties légales prévues aux articles 1641 et suivants du Code civil (garantie contre les défauts cachés) et aux articles L. 217-1 à L. 217-14 et L. 411-1 à L. 411-2 du Code de la consommation (garantie de conformité.)]

La présente garantie comprend le droit à la réparation ou au remplacement du produit ou des pièces du produit qui se révèlent défectueux dans des conditions normales d'usage et d'entretien. Avant de retourner une pièce, vous êtes invité à prendre contact sans délai avec Char-Broil aux coordonnées indiquées sur notre site Web. En cas de défaut, Char-Broil décidera de remplacer ou de réparer sans frais le produit ou les pièces en question. Char-Broil retournera le produit ou les pièces à l'acheteur, frais d'expédition ou d'affranchissement prépayés. Si, après que Char-Broil a décidé de réparer le produit ou les pièces défectueuses, la réparation échoue, vous avez le droit, en vertu de vos droits légaux réglementaires, de réduire le prix d'achat ou de résilier le contrat et de vous faire rembourser.

La présente garantie ne couvre pas les défaillances ou les problèmes de fonctionnement découlant d'un accident, d'une utilisation abusive, d'une mauvaise utilisation, d'une modification, d'une application erronée, d'un acte de vandalisme, d'une mauvaise installation, d'un mauvais entretien, d'une mauvaise réparation ou du non-respect des procédures d'entretien normal et régulier, y compris notamment les dommages causés par les insectes dans les tubes des brûleurs, comme le décrit le présent mode d'emploi. Certaines exceptions peuvent s'appliquer. Veuillez donc prendre contact avec Char-Broil ou avec votre vendeur si vous vous demandez si la présente garantie couvre votre cas particulier ou non.

La détérioration ou les dommages causés par les conditions climatiques particulièrement rigoureuses, comme la grêle, les ouragans, les séismes ou les tornades, ainsi que la décoloration due à l'exposition à des substances chimiques, soit directement, soit dans l'atmosphère, ne sont pas couverts par la présente garantie, et ne sont normalement pas visés par vos droits légaux réglementaires.

Char-Broil n'est pas responsable des pertes imprévues (c'est-à-dire les pertes ou les dommages que ni vous, ni Char-Broil, ni le vendeur n'avez envisagés au moment de l'achat) ou de tout dommage dont vous êtes la cause, à ceci près que la responsabilité de Char-Broil pour fraude, décès ou dommage corporel causés par sa négligence n'est pas limitée.

Char-Broil n'autorise aucun particulier ni aucune société à assumer en son nom toute autre obligation ou responsabilité relativement à la vente, à l'installation, à l'utilisation, à l'élimination, au retour ou au remplacement de son équipement; aucune déclaration à cet effet ne lie Char-Broil.

La présente garantie ne concerne que les produits vendus au détail à des particuliers (et non à des sociétés) au sein de l'Union européenne.

La présente garantie n'a aucune incidence sur les droits légaux réglementaires qui vous sont octroyés par les lois sur la consommation en vigueur dans votre pays de résidence.

Pour demander un service sous garantie, prenez contact avec Char-Broil à l'adresse info-eu@charbroil.eu.

Gewährleistungserklärung

Char-Broil Europe GmbH, mit Geschäftssitz an der Paul-Dessau-Straße 8 Quartier 0 – 4.0G D-22761 Hamburg (Char-Broil) gewährleistet gegenüber dem KÄUFER dieses Char-Broil-Produktes, dass es ab dem Verkaufsdatum frei von Materials- und Verarbeitungsfehlern sein wird, wie im Folgenden dargestellt:

	Kohle Grills und Raucher
Brenner	10 Jahre
Kochplatten/Emitter	3 Jahre
All anderen Teile (EURO-Minimum)	2 Jahre

Char-Broil oder der Händler des Produkts werden eventuell angemessenen Nachweis Ihres Kaufsdatums verlangen. **DESHALB SOLLTEN SIE IHREN KAUFBELEG ODER IHRE RECHNUNG AUFBEWAHREN.**

Diese Gewährleistung umfasst das Nachbesserungsrecht oder Ersetzungsrecht des Produktes oder der Teile des Produktes, die sich bei normalem Gebrauch und Anwendung als mangelhaft erweisen. Vor der Rücksendung jedweder Teile sollten Sie sich unverzüglich mit Char-Broil unter Nutzung der Kontaktinformationen auf unserer Website in Verbindung setzen. Im Falle eines Herstellungsfehlers wird Char-Broil das Produkt oder die entsprechenden Teile ohne Berechnung entweder ersetzen oder nachbessern. Char-Broil wird das Produkt oder die Ersatzteile für das Produkt an den Käufer zurücksenden, wobei Fracht oder Porto im Voraus bezahlt wird. Falls Char-Broil die Entscheidung trifft, das Produkt oder die entsprechenden Teile nachzubessern und die Reparatur fehlschlägt, sind Sie gemäß Ihrer rechtlichen Ansprüche dazu berechtigt, den Kaufpreis zu vermindern oder vom Vertrag zurückzutreten und eine Rückvergütung zu erhalten.

Die Gewährleistung erstreckt sich nicht auf Versagen oder Bedienungsschwierigkeiten infolge von Unfällen, Missbrauch, Fehlanwendung, Abänderung, falscher Verwendung, mutwilliger Beschädigung, unsachgemäßer Installation oder unsachgemäßer Instandhaltung oder Betrieb, oder Unterlassen normaler und routinemäßiger Instandhaltung, einschließlich, aber nicht beschränkt auf, durch Insekten im Inneren der Brennrohre verursachte Schäden, wie in dieser Bedienungsanleitung dargelegt. Ausnahmen können vorkommen, darum bitten wir Sie, Char-Broil oder Ihren Händler zu kontaktieren, falls Sie irgendwelche Fragen darüber haben, ob diese Gewährleistung auf Ihren speziellen Fall zutrifft oder nicht.

Zerfall oder Schaden, die durch extreme Witterungsbedingungen wie Hagel, Orkane, Erdbeben oder Tornados, Verfärbung durch Exposition gegenüber chemischen Stoffen, entweder direkt oder atmosphärisch bedingt, verursacht werden, sind durch diese Gewährleistung nicht gedeckt und sind normalerweise nicht durch zutreffende rechtliche Ansprüche gedeckt.

Char-Broil übernimmt keine Verantwortung für irgendwelche unvorhergesehenen Verluste (z. B. Verlust oder Schaden, die weder Sie noch Char-Broil noch der Händler zum Zeitpunkt des Kaufs voraussahen), oder irgendeinen von Ihnen verursachten Schaden, mit Ausnahme der Tatsache, dass die Haftung von Char-Broil für Betrug oder durch ihre Nachlässigkeit verursachten Todesfall oder Verletzungen nicht beschränkt ist.

Char-Broil erteilt keiner anderen Person oder Firma die Vollmacht, für sie irgendwelche anderen Verpflichtungen oder Haftungen im Zusammenhang mit dem Verkauf, der Installation, des Gebrauchs, der Entfernung, Rücksendung, oder des Ersetzens ihrer Geräte zu übernehmen, und keine diesbezüglichen Erklärungen sind für Char-Broil verbindlich.

Diese Gewährleistung hat nur auf im Einzelhandel an Privatpersonen (im Gegensatz zu Unternehmen) innerhalb der Europäischen Union verkaufte Produkte Anwendung.

Diese Gewährleistung berührt keine Ihrer rechtlichen Ansprüche unter den in Ihrem Wohnsitzland geltenden Verbraucherrechten.

Zur Inanspruchnahme von Garantieleistungen kontaktieren Sie Char-Broil unter info-eu@charbroil.eu.

Bozza di dichiarazione di garanzia per Char-Broil

Char-Broil GmbH di Paul-Dessau-Straße 8 Quartier O – 4.OG D-22761 Hamburg (Char-Broil) garantisce all'ACQUIRENTE di questo prodotto Char-Broil che lo stesso sarà privo di difetti, per quanto riguarda materiali e lavorazione, per i seguenti periodi a partire dalla data di acquisto:

	Uhlíkové grily a kuřáky
Fornelli	10 anni
Griglie di cottura/emettitori	3 anni
Tutte le altre parti (minimo per l'Europa)	2 anni

Char-Broil e il venditore del prodotto potranno richiedere una prova certa della data di acquisto. **VI PREGHIAMO PERTANTO DI CONSERVARE LO SCONTRINO O LA FATTURA.**

[France only: All products sold by the Seller are covered by the legal warranties provided in Articles 1641 and followings of the Civil Code (warranty against hidden defects) and Articles L. 217-1 to L. 217-14 and L. 411-1 to L. 411-2 of the Consumer Code (warranty of conformity.)]

Questa Garanzia comprende il diritto alla riparazione o sostituzione del prodotto o delle parti dello stesso che presentano difetti alle normali condizioni d'uso e manutenzione. Prima di restituire qualsiasi parte, vi preghiamo di contattare quanto prima Char-Broil ai numeri e indirizzi riportati nel nostro sito web. In caso di difetto, Char-Broil deciderà se sostituire o riparare gratuitamente il prodotto o le parti in questione. Char-Broil restituirà il prodotto o le parti dello stesso all'acquirente, spese di spedizione o affrancatura prepagate. Qualora Char-Broil scelga di riparare il prodotto o le parti difettose dello stesso e la riparazione non dia il risultato previsto, avrete il diritto, in virtù dei diritti legali previsti per legge, di ottenere una riduzione del prezzo d'acquisto o di recedere dal contratto e ottenere il rimborso.

Questa Garanzia non copre guasti o problemi di funzionamento determinati da incidenti, uso improprio, errato o scorretto, modifiche, atti di vandalismo, installazione scorretta, manutenzione o assistenza errata o mancata esecuzione delle operazioni di manutenzione normali e di routine, inclusi, senza carattere limitativo, i danni causati da insetti all'interno dei tubi dei fornelli, come descritto in questo manuale d'istruzioni. Tuttavia possono esservi delle eccezioni. Vi preghiamo pertanto di contattare Char-Broil o il venditore per sapere se la Garanzia è applicabile o meno al vostro caso particolare.

Deterioramenti o danni causati da condizioni meteorologiche avverse, quali grandine, uragani, terremoti o trombe d'aria, e lo scolorimento dovuto all'esposizione a sostanze chimiche, per contatto diretto o presenza nell'atmosfera, non sono coperti da questa Garanzia e non sono normalmente coperti dai diritti legali previsti per legge.

Char-Broil non è responsabile per perdite non prevedibili (cioè perdite o danni non contemplati da voi, da Char-Broil o dal venditore al momento dell'acquisto) o per danni causati da voi, fermo restando che la responsabilità di Char-Broil in caso di frode, morte o lesioni personali causate da negligenza da parte sua è illimitata.

Char-Broil non autorizza persone o società ad assumere ulteriori obblighi o responsabilità in suo nome, in relazione alla vendita, installazione, utilizzo, rimozione, restituzione, o sostituzione dell'apparecchio; qualsiasi dichiarazione in tal senso non è vincolante per Char-Broil.

Questa garanzia è valida solo per i prodotti venduti al dettaglio a privati (non a imprese) all'interno dell'Unione europea.

Questa Garanzia non pregiudica i diritti legali previsti dai codici del consumo vigenti nel vostro paese di residenza.

Per l'assistenza in garanzia, contattate Char-Broil all'indirizzo info-ue@charbroil.eu.

GB	NOTE: This information is a guide only. Items included in your BBQ specification may differ depending on region or specific dealer specification.	All specifications are subject to change without notice.
CH, FR	NOTE: Ces renseignements sont donnés à titre indicatif. Il est possible que les articles inclus dans les spécifications de votre barbecue diffèrent selon la région ou les caractéristiques stipulées par le concessionnaire.	Toutes les caractéristiques sont susceptibles d'être modifiées
LU, AT, CH, DE	ANMERKUNG: Diese Anleitung dient nur zu Informationszwecken. Einzelteile der Grillspezifikation sind unter Umständen verschieden entsprechend der Vertriebsregion oder bestimmten Händleranforderungen.	Änderungen ohne vorherige Bekanntgabe vorbehalten.
CH, IT	AVVERTENZA: Queste informazioni hanno il valore di guida soltanto. Gli articoli compresi nelle caratteristiche tecniche del barbecue potrebbero variare a seconda della regione o del concessionario.	Tutti I dati tecnici possono cambiare senza preavviso.
LU, BE, NL	ATTENTIE: Deze informatie is alleen bedoeld als gids. Onderdelen in uw BBQ specificatie en pakket kunnen per regio of per dealer verschillen.	Alle specificaties kunnen zonder voorafgaande kennisgeving worden gewijzigd.
SE	ANM.: Denna information är endast avsedd som handledning. Specifikationerna för grillen kan variera regionalt eller beroende på de krav som olika återförsäljare har.	Kaikki oikeudet teknisten tietojen muutoksiin pidätetään.
FI	HUOMATKAA: Nämä tiedot ovat pelkästään suuntaa antavia. ostamanne grillin yksityiskohdat voivat olla erilaiset paikkakunnan tai erityisten myykohtaisten yksityiskohtien mukaan.	"Kaikki yksityiskohdat voivat muuttua ilman etta niistä erikseen ilmoitetaan."
ES	NOTA: Esta información es una guía únicamente. Es posible que las indicaciones incluidas en las especificaciones de su Asador se diferencien según la región o las especificaciones del representante.	Todas las especificaciones están sujetas a cambios sin previo aviso.
PT	NOTA: Esta informação é simplesmente um guia. Os itens incluídos na especificação do seu BBQ poderão diferir dependendo da especificação da região ou do vendedor específico.	Todas as especificações estão sujeitas a alteração sem aviso.
DK	NB.: Denne information er kun vejledende. Specifikationer kan variere efter Ånske fra forhandler, eller I henhold til nationale regler.	Alle specifikationer kan ændres foruden varsel.
NO	NB.: Denne informasjon er kun veiledende. Spesifikasjoner kan variere som stipulert av forhandler, eller I henhold til nasjonale krav.	Spesifikasjoner kan endres uten varsel.
SK	POZNÁMKA: Tieto informácie slúžia len ako pomôcka. Údaje uvedené v technických údajoch vášho grilu sa môžu líšiť podľa regiónu alebo špecifických technických údajov stanovených predajcom.	Všetky špecifikácie sa môžu zmeniť bez upozornenia.
IS	ATH: Þessar upplýsingar eru aðeins leiðbeiningar. Atriði sem innifalín eru í BBQ-forskriftunum þínunum kunna að vera mismunandi eftir því hvaða svæðis eða sérstakar söluaðilar eru.	Allar lísingar eru hvar breytingum nvi vrunar.
CZ	POZNÁMKA: Tyto informace slouží pouze jako instrukce. Součásti vašeho BBQ. Specifikace se mohou lišit podle regionu/země nebo specifických údajů prodejce.	Všechny informace mohou být změněny bez předchozího upozornění.
IL	הודעה לירגה רישכמ לש טרפמב סילוכה סיטרפה. דבלב סוחייל דעונ הז עדימ הרעה. סיוסמ יזפמ לש תושידל וז רוזאל סאתהב תונתשהל סיושע.	העדוה אלל סיווישיל סיפופכ סיטרפמה לכ.
RO	NOTĂ: Această informație este doar un ghid. Elementele incluse în specificațiile dvs. pentru grătar pot diferi în funcție de regiune sau de specificațiile dealerului.	Toate specificațiile pot fi modificate fără notificare.
GR	ΣΗΜΕΙΩΣΗ: Αυτές οι πληροφορίες είναι μόνο ένας οδηγός. Τα στοιχεία που περιλαμβάνονται στις προδιαγραφές BBQ ενδέχεται να διαφέρουν ανάλογα με την περιοχή ή τις συγκεκριμένες προδιαγραφές του αντιπροσώπου.	Όλες οι προδιαγραφές υπόκεινται σε αλλαγές χωρίς προειδοποίηση.
HU	MEGJEGYZÉS: Ez az információ csak tájékoztató jellegű. A BBQ specifikációjában szereplő tételek a régiótól vagy a specifikus kereskedői specifikációtól függően eltérhetnek.	Minden műszaki változtatás jogát fenntartjuk.
BG	ЗАБЕЛЕЖКА: Тази информация е само ръководство. Елементите, включени в спецификацията за барбекю, може да се различават в зависимост от региона или конкретните спецификации на дилъра.	Всички спецификации подлежат на промяна без предизвестие.

Char-Broil®

©2018 Char-Broil Europe GmbH Paul-Dessau-Straße 8 Quartier O – 4.OG D-22761 Hamburg

©2018 Assembly instructions.

The product associated with this guide was manufactured in China.

